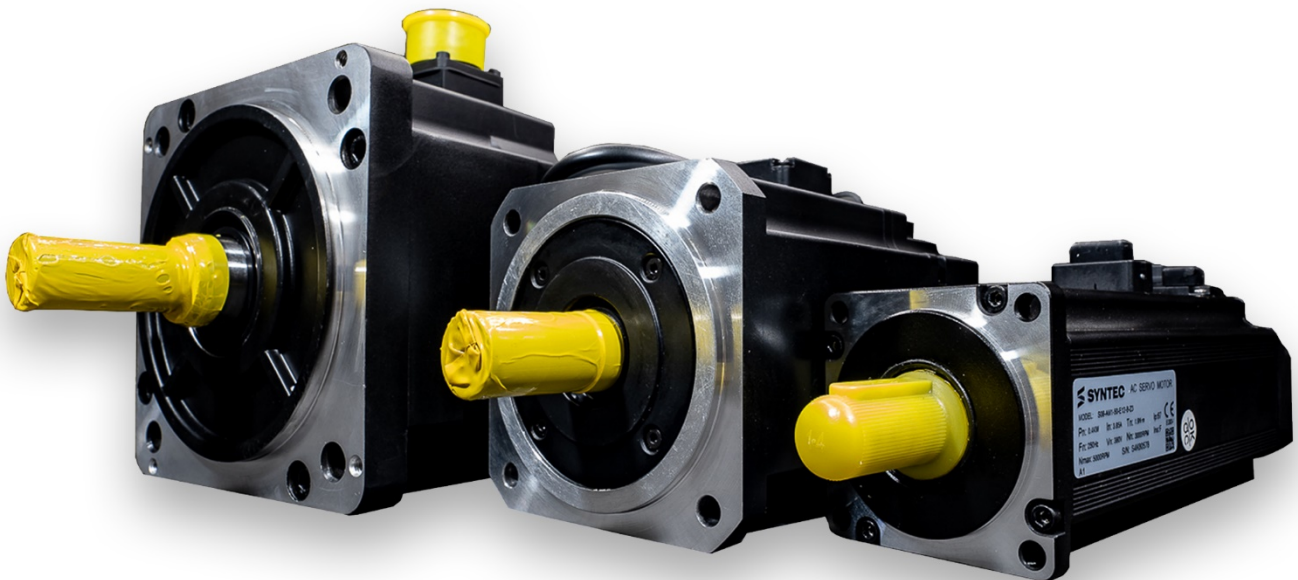




# Syntec Servo Catalog



# Contents

<b>Topic</b>	<b>Page</b>
<b>Specification</b> .....	4
<b>220V Class</b> .....	5
<b>380V Class</b> .....	6
<b>Dimensions &amp; Torque-speed curve</b> .....	7
<b>F Series</b> .....	8
• S08-AM3-60□-F4 .....	8
• S08-AM5-40□-F3 .....	8
• S08-AM8-40□-F3 .....	10
• S08-AM11-40□-F3 .....	11
• S08-AM11-30B□-F4 .....	12
• S08-AM15-40□-F3 .....	13
• S08-AM18-40□-F4 .....	14
• S08-AM18-30B-F4 .....	15
• S08-AM28-40□-F4 .....	16
• S08-AM35-20□-F5 .....	17
• S08-AM48-20□-F5 .....	18
• S08-AM8-50K-F1 .....	19
• S08-AM11-50K-F1 .....	20
<b>Z Series</b> .....	21
• S08 - AM03 - 50□ - Z3 .....	21
• S08 - AM06 - 50□ - Z3 .....	22
• S08 - AM1 - 60□ - Z4 .....	23
• S08 - AM1 - 50□ - Z3 .....	24
• S08 - AM2 - 60□ - Z4 .....	25
• S08 - AM3 - 50□ - Z3 .....	26
<b>H Series</b> .....	27
• S08 - AM03 - 50□ - H1 .....	27
• S08 - AM03 - 50□ - H3 .....	28
• S08 - AM06 - 50□ - H1 .....	29
• S08 - AM06-50□-H3 .....	30
• S08 - AM1-50□-H1 .....	31

- S08 – AM1-50□-H2..... 32
- S08 – AM1-50□-H3..... 33
- S08 – AM2-50□-H1..... 34
- S08 – AM2-50□-H2..... 35
- S08 – AM2-50□-H3..... 36
- S08 – AM4-40□-H2..... 37
- S08 – AM5-40□-H1..... 38
- S08 – AM7-25□-H2..... 39
- S08 – AM7-30□-H2..... 40
- S08 – AM8-30□-H1..... 41
- S08 – AM9-30□-H2..... 42
- S08 – AM11-30□-H1..... 43

## Model Designations

# S08 - AM 5 - 40 B - F 1



**1<sup>st</sup> Digit** Servo product

**2<sup>nd</sup> Digit** Axial Motor

**3<sup>rd</sup> Digit** Rated Torque (Nm)

CODE	Specifications	Rated Power
03	0.3 Nm	0.1 kW
06	0.6 Nm	0.2 kW
1	1 Nm	0.4 kW
2	2 Nm	0.8 kW
3	3 Nm	1.0 kW
5	5 Nm	1.1 kW
8	8 Nm	1.7 kW
11	11 Nm	2.4 kW
15	15 Nm	3.1 kW
18	18 Nm	3.9 kW
28	28 Nm	5.9 kW
35	35 Nm	5.5 kW
48	48 Nm	7.5 kW

**7<sup>th</sup> Digit** Version Number

**4<sup>th</sup> Digit** Maximum Speed (rpm)

CODE	Specifications
20	2000 rpm
30	3000 rpm
40	4000 rpm
50	5000 rpm
60	6000 rpm

**5<sup>th</sup> Digit** Optional Accessories

CODE	Specifications
B	Break
S	Sealing
K	Keyway
BS	Break + Sealing + Keyway
BK	Break + Keyway
SK	Sealing + Keyway
BSK	Break + Sealing + Keyway

**6<sup>th</sup> Digit** Model Series

CODE	Specifications
F	FUKUTA
M	MIGE
Z	Grand Sail
H	HCFA

## Specification

## 220V Class

### ○ H Series

220V Axial Motor		Rated Power	Rated Torque	Max. Torque	Rated Current	Rated Speed	Max, Speed	Rotor Inertial (I): with Break	Encoder
Model Number									
S08-AM□□ - □□□ - □□		kW	N . m		Arms	rpm		Kg . cm <sup>2</sup>	-
<b>IP65 Protect Level</b>									
H Series	AM03-50□-H1	0.1	0.32	1.12	0.8	3000	5000	0.77	Hcfa 17bit
	AM03-50B□-H1	0.1	0.32	1.12	0.8	3000	5000	0.093	
	AM06-50□-H1	0.2	0.64	1.91	1.7	3000	5000	0.43	
	AM06-50B□-H1	0.2	0.64	1.91	1.7	3000	5000	0.47	
	AM1-50□-H1	0.4	1.27	3.82	2.7	3000	5000	0.69	
	AM1-50B□-H1	0.4	1.27	3.82	2.7	3000	5000	0.72	
	AM1-50□-H2	0.4	1.27	4.46	2.1	3000	5000	0.56	
	AM1-50B□-H2	0.4	1.27	4.46	2.1	3000	5000	0.58	
	AM2-50□-H1	0.75	2.39	7.1	4.3	3000	5000	1.59	
	AM2-50B□-H1	0.75	2.39	7.1	4.3	3000	5000	1.78	
	AM2-50□-H2	0.75	2.39	8.36	3.8	3000	5000	1.56	
	AM2-50B□-H2	0.75	2.39	8.36	3.8	3000	5000	1.66	
	AM4-40□-H2	1	4.77	14.31	5.92	2000	4000	13.9	
	AM4-40B□-H2	1	4.77	14.31	5.92	2000	4000	16	
	AM7-30□-H2	1.5	7.16	21.48	8.3	2000	3000	19.9	
	AM7-30B□-H2	1.5	7.16	21.48	8.3	2000	3000	22	
AM9-30□-H2	2	9.55	28.56	12.9	2000	3000	26		
AM9-30B□-H2	2	9.55	28.56	12.9	2000	3000	28.1		
<b>IP67 Protect Level</b>									
H Series	AM03-50□-H3	0.1	0.32	1.1	1.1	3000	5000	0.071	Hcfa 17bit
	AM03-50B□-H3	0.1	0.32	1.1	1.1	3000	5000	0.074	
	AM06-50□-H3	0.2	0.64	2.23	1.4	3000	5000	0.29	
	AM06-50B□-H3	0.2	0.64	2.23	1.4	3000	5000	0.31	
	AM1-50□-H3	0.4	1.27	4.46	2.1	3000	5000	0.56	
	AM1-50B□-H3	0.4	1.27	4.46	2.1	3000	5000	0.58	
	AM2-50□-H3	0.75	2.39	8.36	3.8	3000	5000	1.56	
	AM2-50B□-H3	0.75	2.39	8.36	3.8	3000	5000	1.66	
	AM7-25□-H2	1.5	7.2	21.6	6	2000	2500	20	
	AM7-25B□-H2	1.5	7.2	21.6	6	2000	2500	21.2	

## 380V Class

### ○ F Series

380V Axial Motor		Rated Power	Rated Torque	Max. Torque	Rated Current	Rated Speed	Max, Speed	Rotor Inertial	Encoder
Model Number									
S08-AM□□ - □□□ - □□		kW	N . m		Arms	rpm		Kg . cm <sup>2</sup>	-
<b>IP67 Protect Level</b>									
<b>F Series</b>	AM3-60□-F4	1	3.2	10	4.25	3000	6000	3.5	Nikon 24bit
	AM3-60B□-F4	1	3.2	10	4.25	3000	6000	3.85	
	AM5-40□-F3	1.1	5.39	14.9	4.17	2000	4000	13.3	
	AM5-40B□-F3	1.1	5.39	14.9	4.17	2000	4000	16	
	AM8-40□- F3	1.7	8.34	30.8	6.44	2000	4000	20.6	
	AM8-40B□- F3	1.7	8.34	30.8	6.44	2000	4000	23.3	
	AM11-40□- F3	2.4	11.5	34	8.27	2000	4000	26.3	
	AM11-40B□- F3	2.4	11.5	34	8.27	2000	4000	28.9	
	AM11-30B- F4	2.4	11.5	34	5.7	2000	3000	28.9	
	AM15-40□-F3	3.1	15	45	9.2	2000	4000	32.8	
	AM15-40B□-F3	3.1	15	45	9.2	2000	4000	35.5	
	AM18-40□-F4	3.9	18.6	48.5	11	2000	4000	46	
	AM18-40B□-F4	3.9	18.6	48.5	11	2000	4000	51.8	
	AM18-30B-F4	3.9	18.6	45.3	9.7	2000	3000	51.8	
	AM28-30□-F4	5.9	28.4	76	13.6	2000	3000	69	
	AM28-30B□-F4	5.9	28.4	76	13.6	2000	3000	74.8	
	AM35-20□-F5	5.5	35	91.4	11.9	1500	2000	90.5	
	AM35-20B□-F5	5.5	35	91.4	11.9	1500	2000	108	
AM48-20□-F5	7.5	48	120.9	16.5	1500	2000	125		
AM48-20B□-F5	7.5	48	120.9	16.5	1500	2000	140		
<b>F Series (Unit-Head)</b>	AM8-50K-F1	1.7	8	24	6	2000	5000	19	Syntec 18bit
	AM11-50K-F1	2.3	11	45	7.6	2000	5000	31.6	

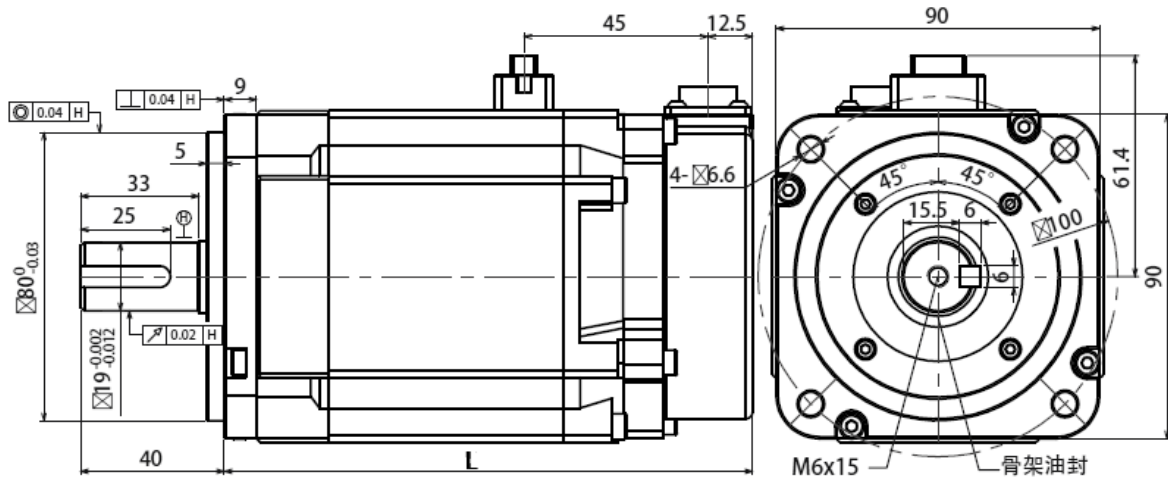
## ○ Z Series

380V Axial Motor		Rated Power	Rated Torque	Max. Torque	Rated Current	Rated Speed	Max, Speed	Rotor Inertial (): with Break	Encoder
Model Number									
S08-AM□□ - □□□ - □□		kW	N . m		Arms	rpm		Kg . cm <sup>2</sup>	-
IP67 Protect Level									
Z Series	AM03-50□-Z3	0.1	0.32	0.96	1.4	3000	5000	0.045	Nikon 24bit
	AM03-50□-Z3	0.1	0.32	0.96	1.4	3000	5000	0.05	
	AM06-50□-Z3	0.2	0.64	1.92	1.9	3000	5000	0.16	
	AM06-50□-Z3	0.2	0.64	1.92	1.9	3000	5000	0.18	
	AM1-60□-Z4	0.4	1.27	3.8	2.9	3000	6000	0.54	
	AM1-60□-Z4	0.4	1.27	3.8	2.9	3000	6000	0.55	
	AM1-50□-Z3	0.4	1.9	5.7	3.85	3000	5000	0.57	
	AM1-50□-Z3	0.4	1.9	5.7	3.85	3000	5000	0.6	
	AM2-60□-Z4	0.75	2.39	7.2	5.1	3000	6000	1.7	
	AM2-60□-Z4	0.75	2.39	7.2	5.1	3000	6000	1.8	
	AM3-50□-Z3	1	3.18	9.54	5.4	3000	5000	1.9	
	AM3-50□-Z3	1	3.18	9.54	5.4	3000	5000	2	

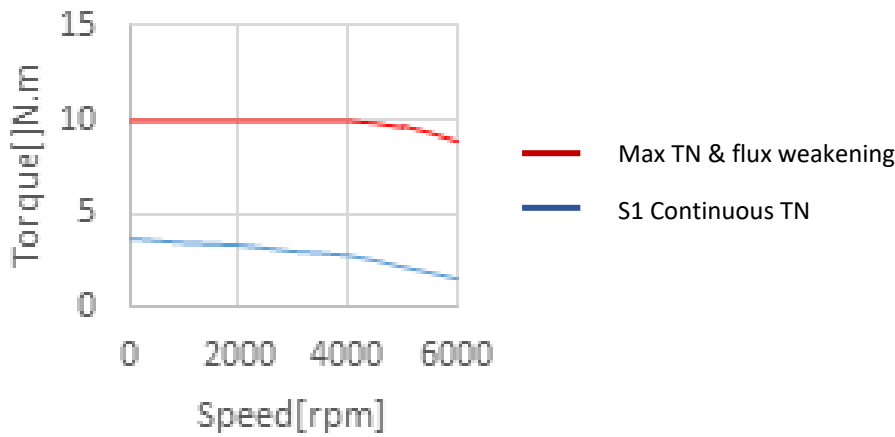
## Dimensions & Torque-speed curve

# F Series

- S08-AM3-60□-F4

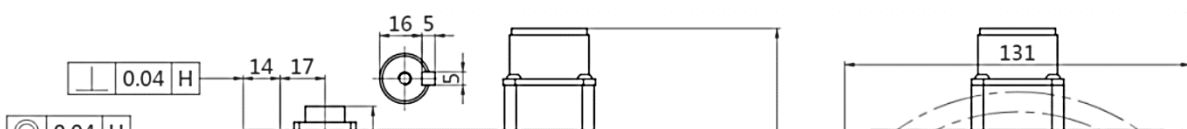


**Torque-Motor Speed Characteristics**



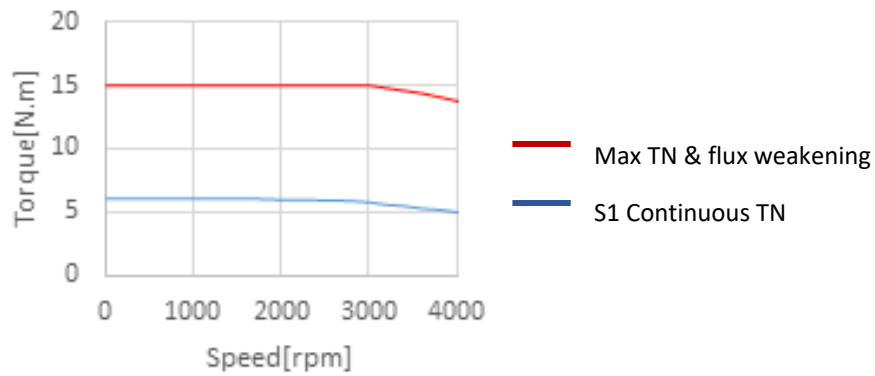
Model	Frame Size	Name	Power (KW)	Motor Length (mm)	Shaft Diameter (mm)	Shaft End Spec.(mm)			
						Keyway Width	Keyway Length	Keyway Depth	Screw Thread
S08-AM3-60□-F4	90	AM3	1	141	19	6	25	3	M6*15
S08-AM3-60B□-F1				182		6	25	3	M6*15

- S08-AM5-40□-F3



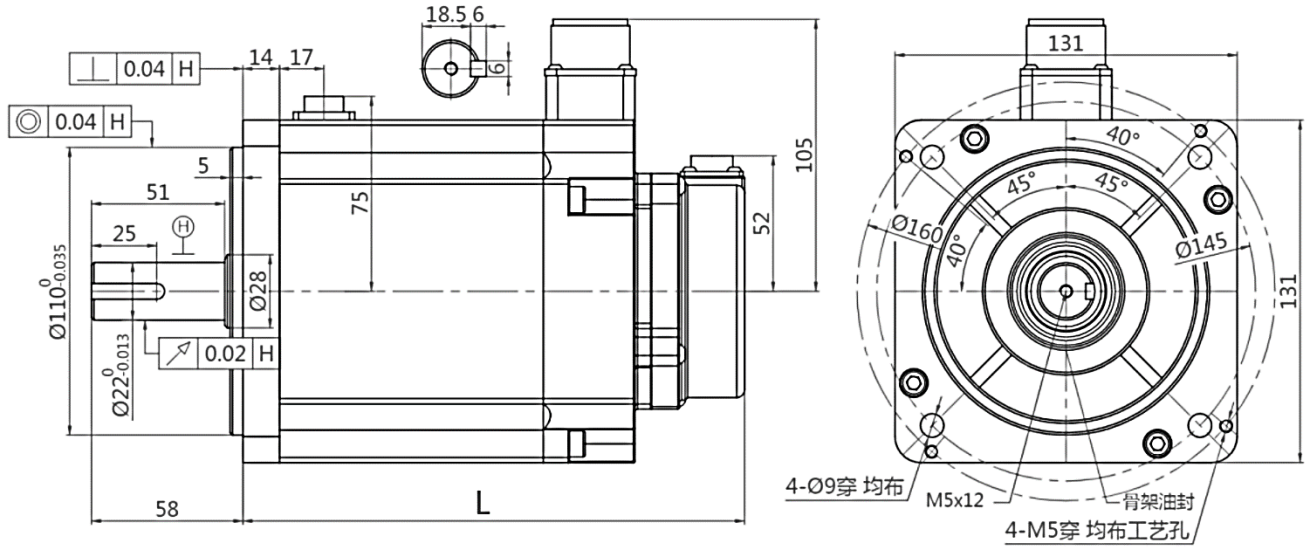


### Torque-Motor Speed Characteristics

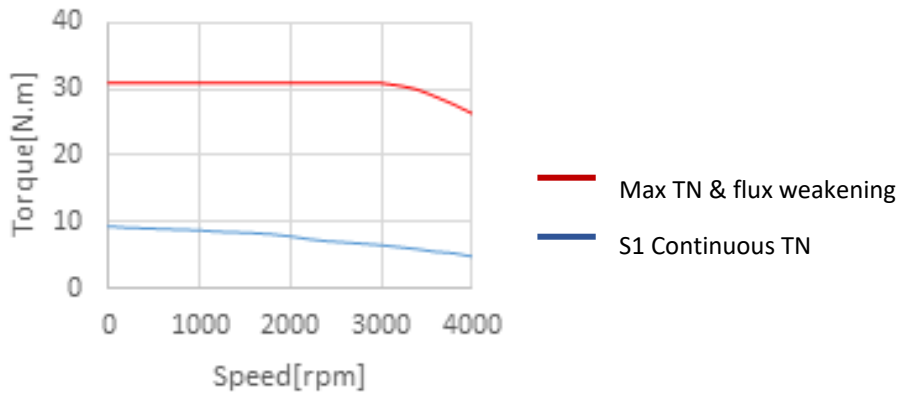


Model	Frame Size	Name	Power (KW)	Motor Length (mm)	Shaft Diameter (mm)	Shaft End Spec.(mm)			
						Keyway Width		Keyway Length	
S08-AM5-40□-F3	130	AM5	1.1	143	19	Keyway Width	5	Keyway Length	25
				Keyway Depth		3	Screw Thread	M5*12	
S08-AM5-40B□-F3				175		Keyway Width	5	Keyway Length	25
						Keyway Depth	3	Screw Thread	M5*12

- S08-AM8-40□-F3

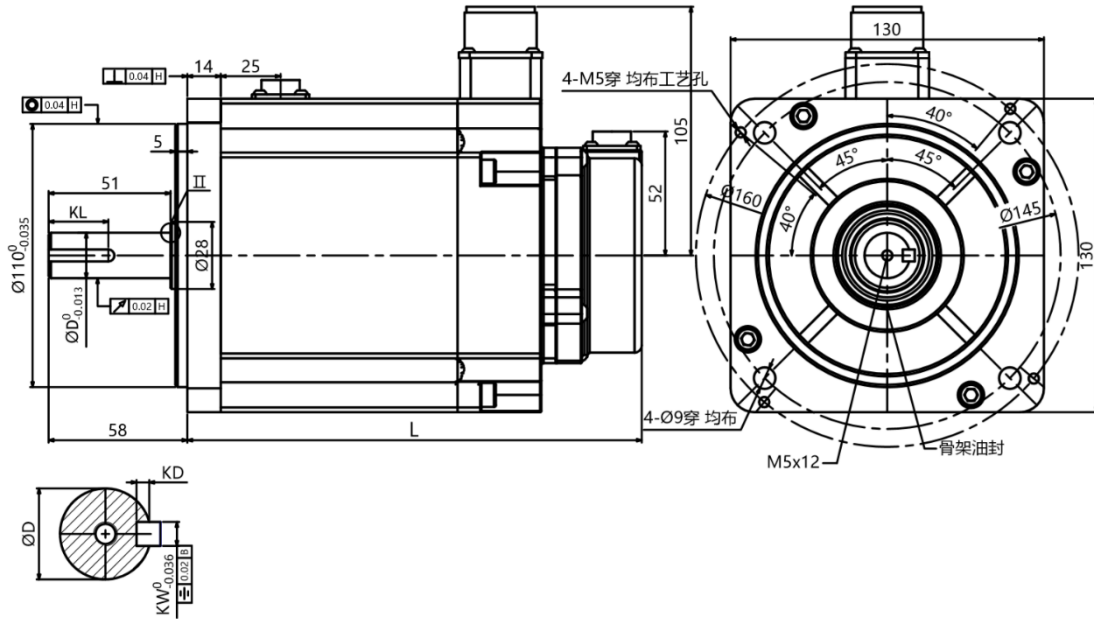


### Torque-Motor Speed Characteristics

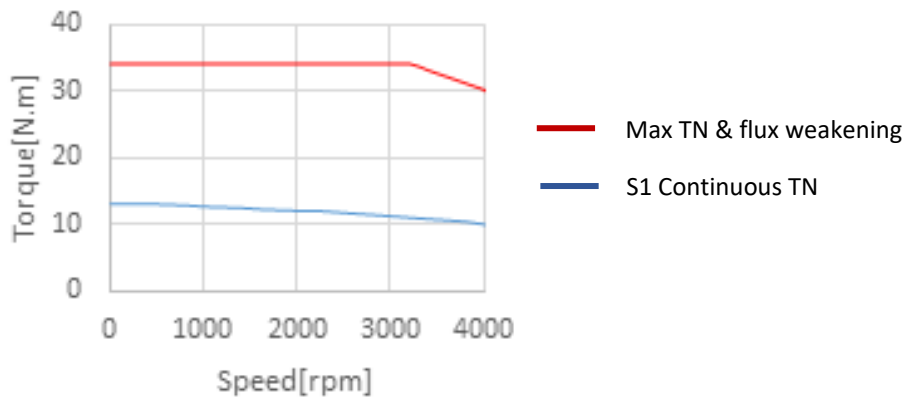


Model	Frame Size	Name	Power (KW)	Motor Length (mm)	Shaft Diameter (mm)	Shaft End Spec.(mm)			
						Keyway Width	Keyway Length	Keyway Depth	Screw Thread
S08-AM8-40□-F3	131	AM8	1.7	164	22	6	25	3.5	M5*12
S08-AM8-40B□-F3				192		6	25	3.5	M5*12

- S08-AM11-40□-F3

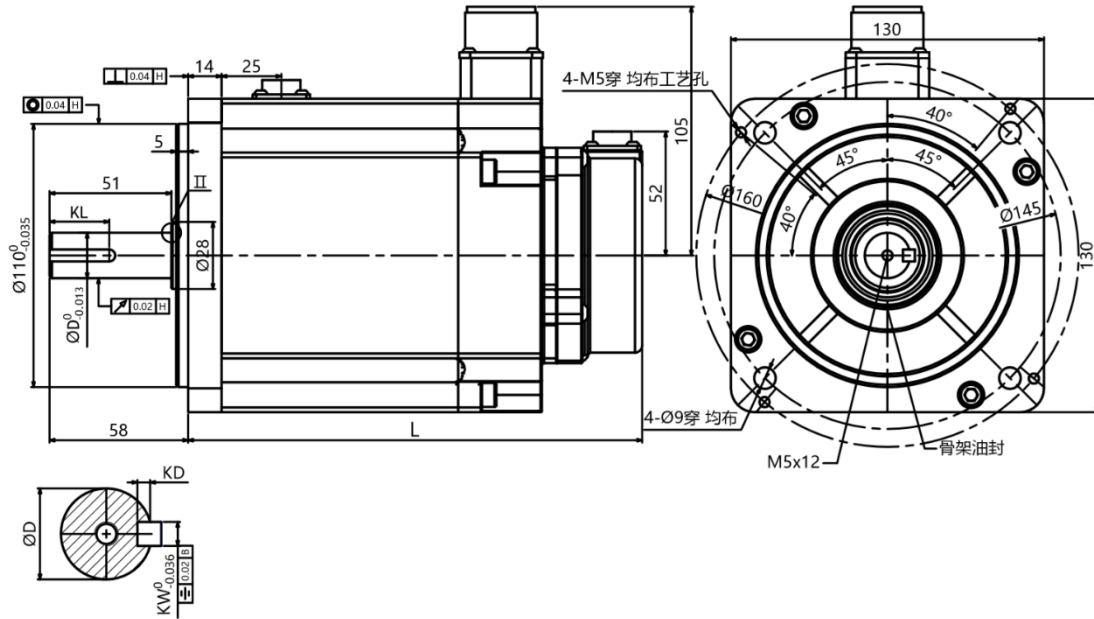


### Torque-Motor Speed Characteristics

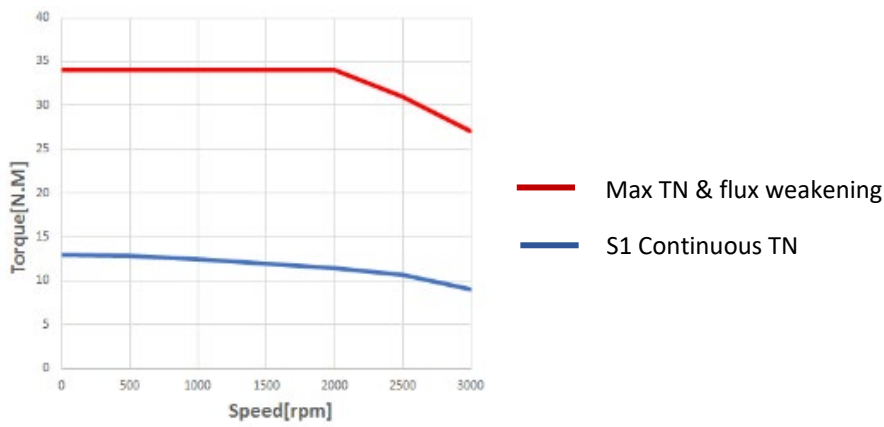


Model	Frame Size	Name	Power (KW)	Motor Length (mm)	Shaft Diameter (mm)	Shaft End Spec.(mm)			
						Keyway Width	Keyway Length	Keyway Depth	Screw Thread
S08-AM11-40□-F3	130	AM11	2.4	185.5	24	8	25	4	M5*12
S08-AM11-40B□-F3				235		8	25	4	M5*12

- S08-AM11-30B□-F4

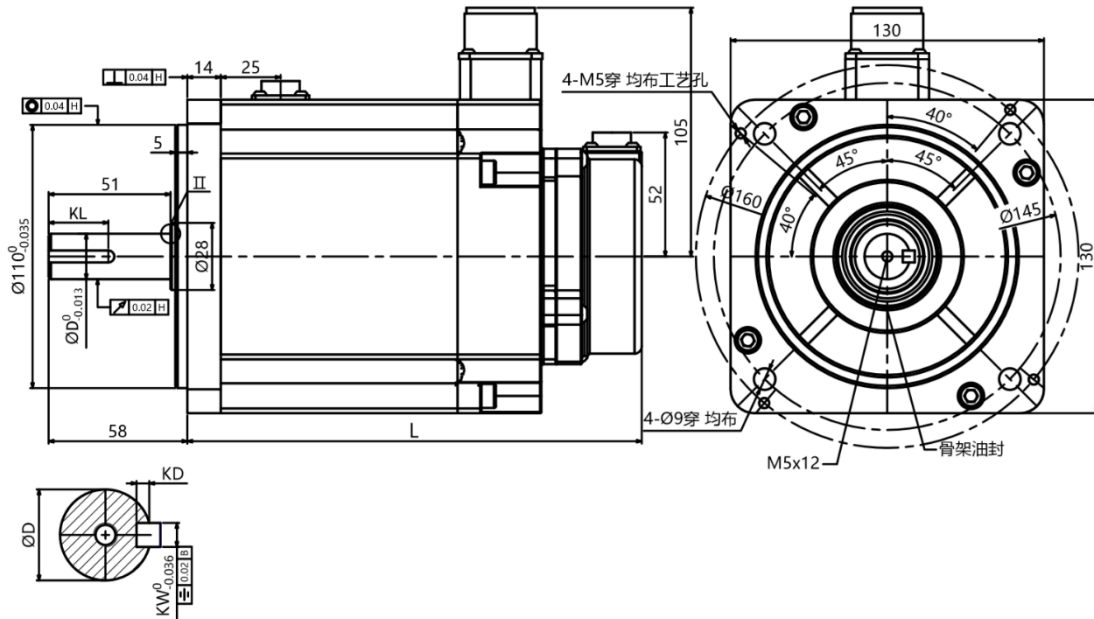


### Torque-Motor Speed Characteristics

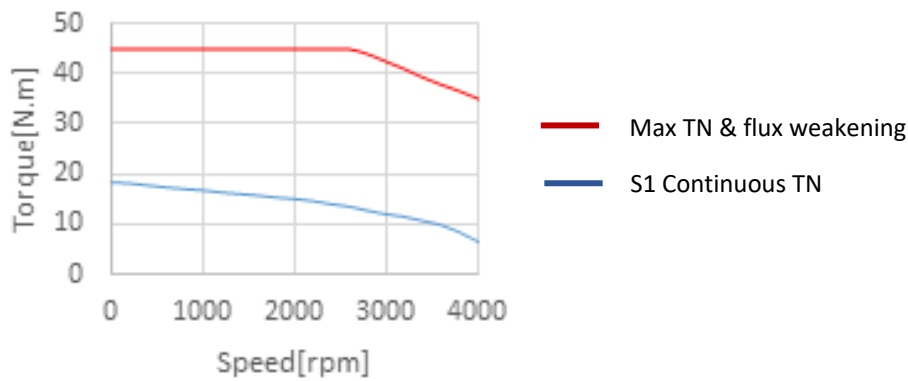


Model	Frame Size	Name	Power (KW)	Motor Length (mm)	Shaft Diameter (mm)	Shaft End Spec.(mm)			
						Keyway Width	Keyway Length	Keyway Depth	Screw Thread
S08-AM11-30B□-F3	130	AM11	2.4	213	24	8	25	4	M5*12

- S08-AM15-40□-F3

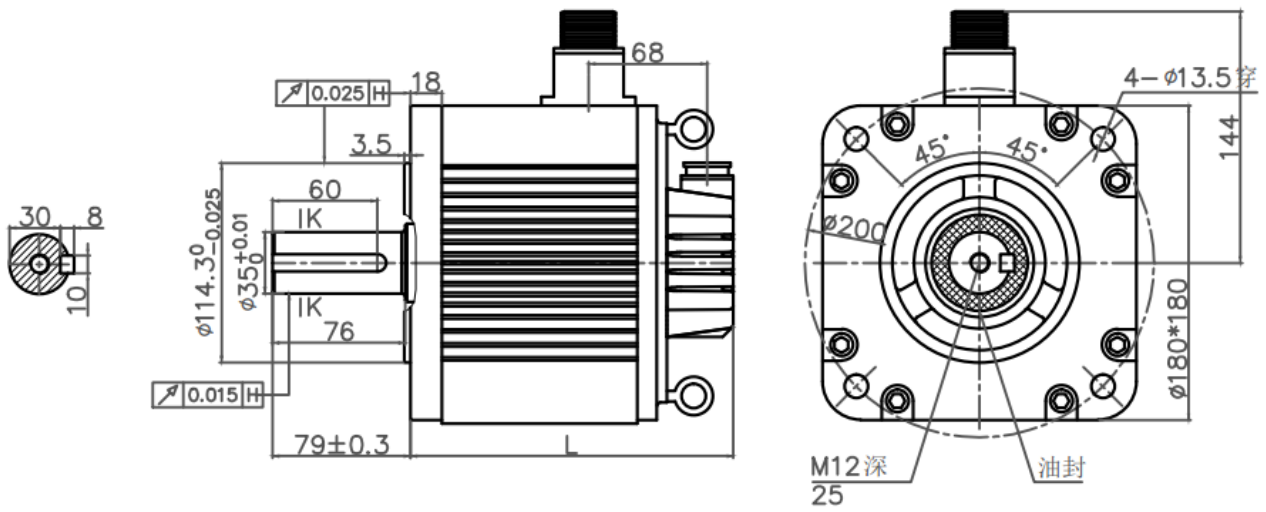


### Torque-Motor Speed Characteristics

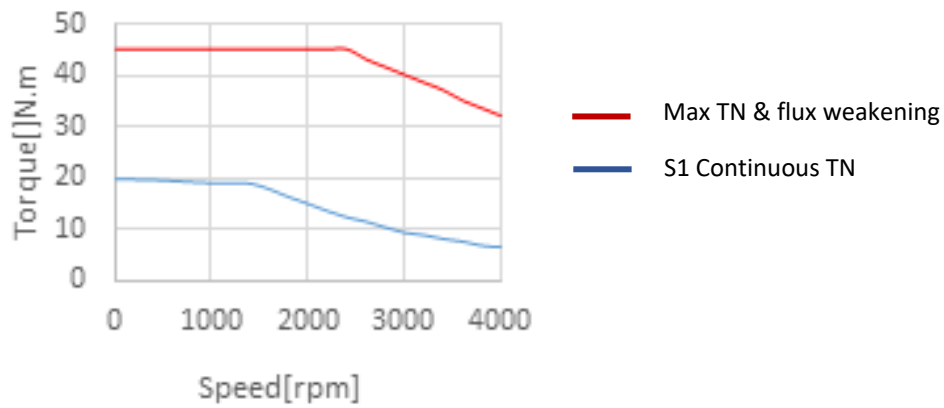


Model	Frame Size	Name	Power (KW)	Motor Length (mm)	Shaft Diameter (mm)	Shaft End Spec.(mm)			
						Keyway Width	Keyway Length	Keyway Depth	Screw Thread
S08-AM15-40□-F3	130	AM11	3.1	207	24	8	25	4	M5*12
S08-AM15-40B□-F3				235		8	25	4	M5*12

- S08-AM18-40□-F4

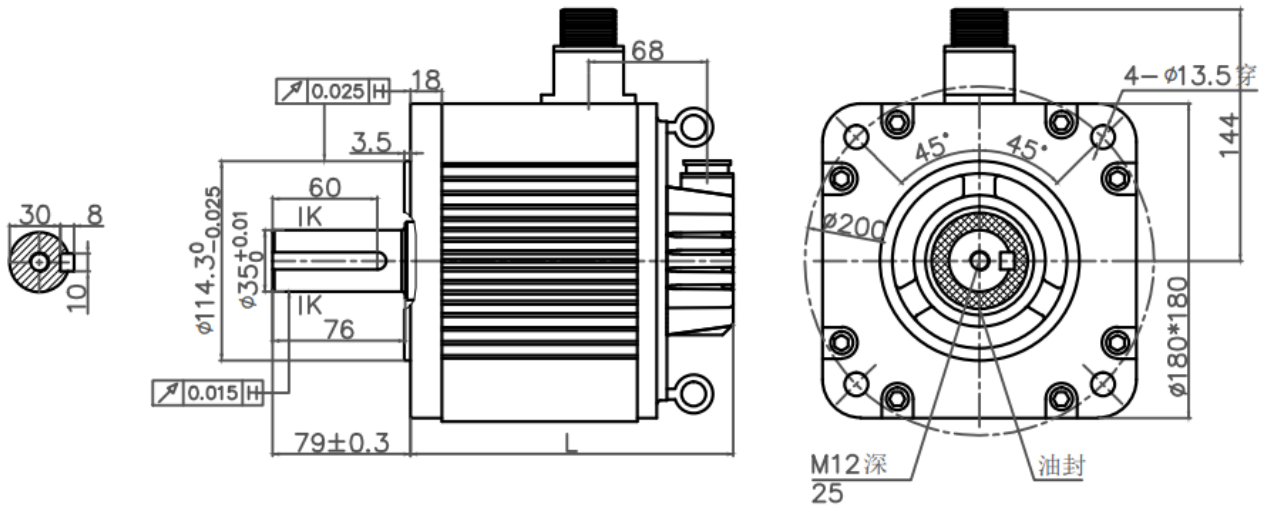


### Torque-Motor Speed Characteristics

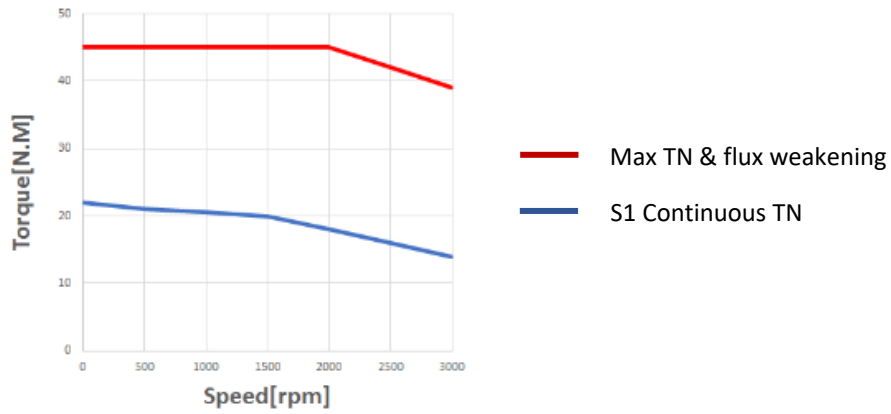


Model	Frame Size	Name	Power (KW)	Motor Length (mm)	Shaft Diameter (mm)	Shaft End Spec.(mm)			
						Keyway Width	Keyway Length	Keyway Depth	Screw Thread
S08-AM18-40□-F4	180	AM18	3.9	164.5	35	10	60	5	M12*25
S08-AM18-40B□-F4				212.5		10	60	5	M12*25

- S08-AM18-30B-F4

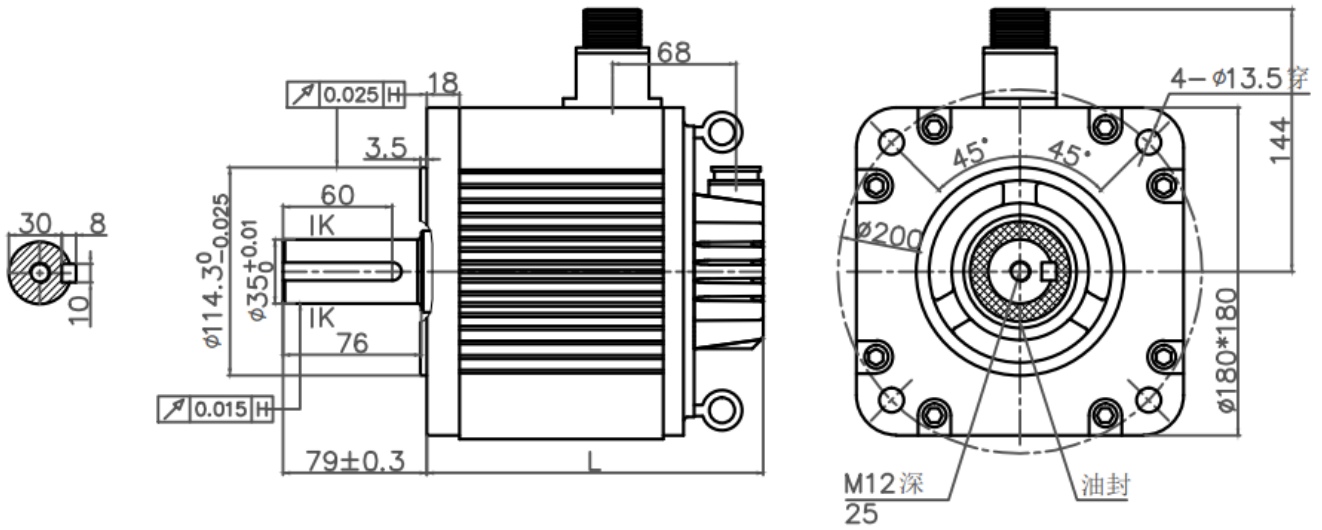


### Torque-Motor Speed Characteristics

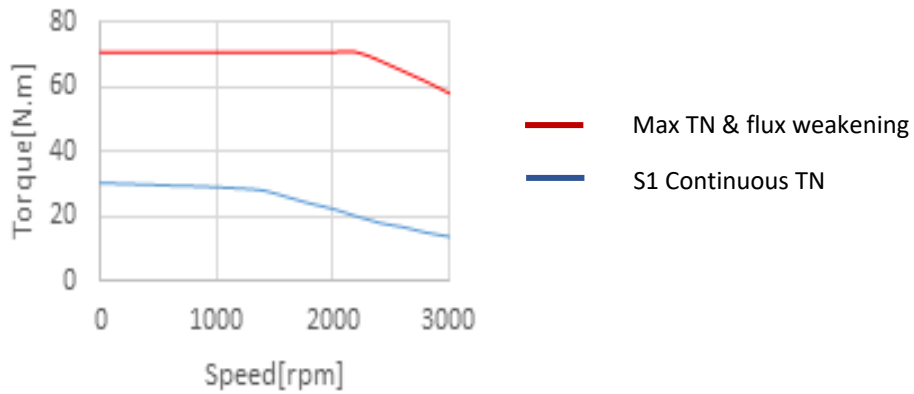


Model	Frame Size	Name	Power (KW)	Motor Length (mm)	Shaft Diameter (mm)	Shaft End Spec.(mm)			
						Keyway Width	Keyway Length	Keyway Depth	Screw Thread
S08-AM18-30B-F4	180	AM18	3.9	212.5	35	10	60	5	M12*25

- S08-AM28-40□-F4



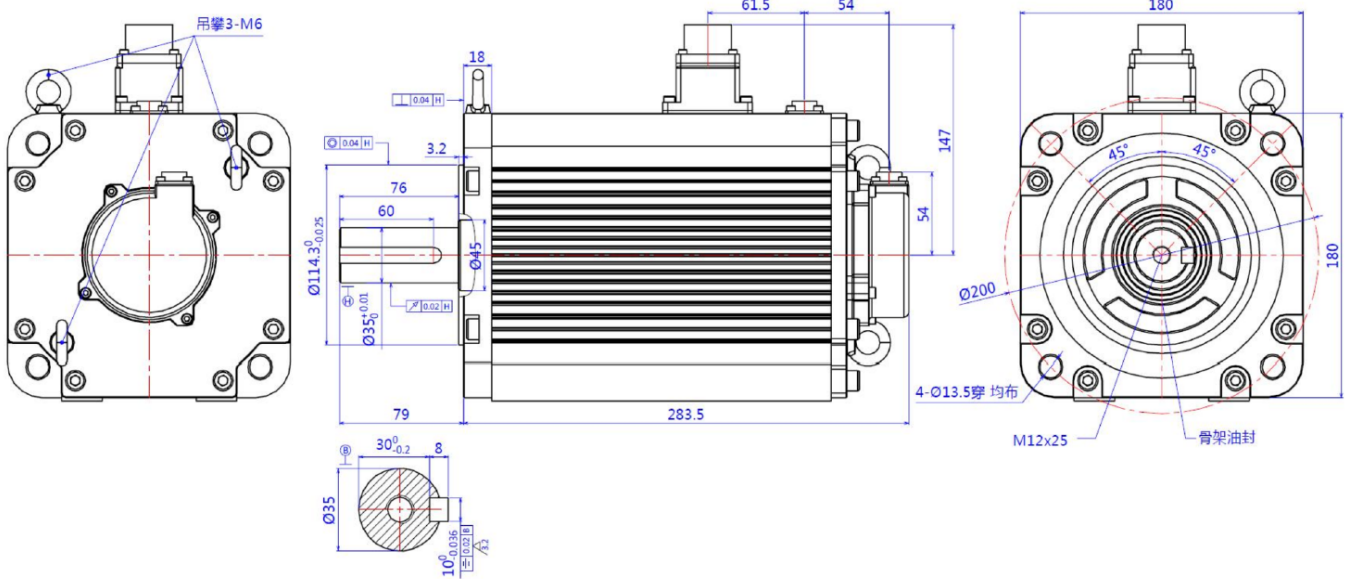
### Torque-Motor Speed Characteristics



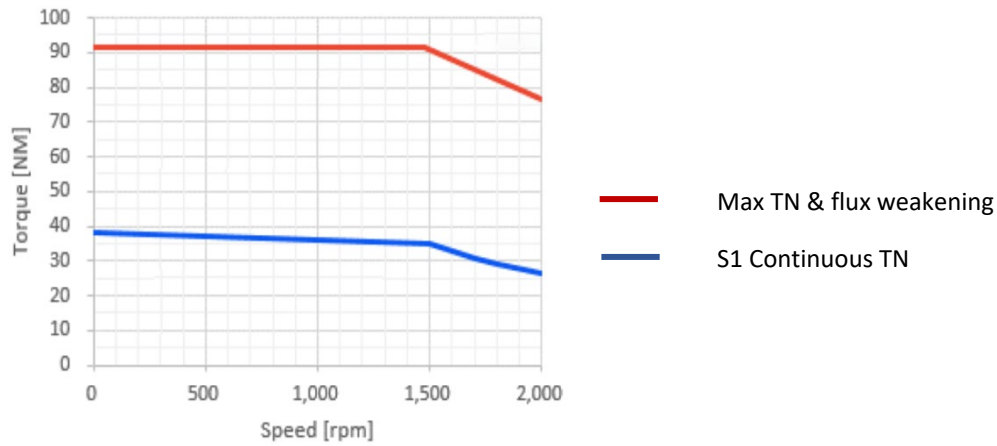
Model	Frame Size	Name	Power (KW)	Motor Length (mm)	Shaft Diameter (mm)	Shaft End Spec.(mm)			
						Keyway Width	Keyway Length	Keyway Depth	Screw Thread
S08-AM28-40□-F4	180	AM28	5.9	191	35	10	60	5	M12*25
S08-AM28-40B□-F4				239		10	60	5	M12*25



- S08-AM35-20□-F5

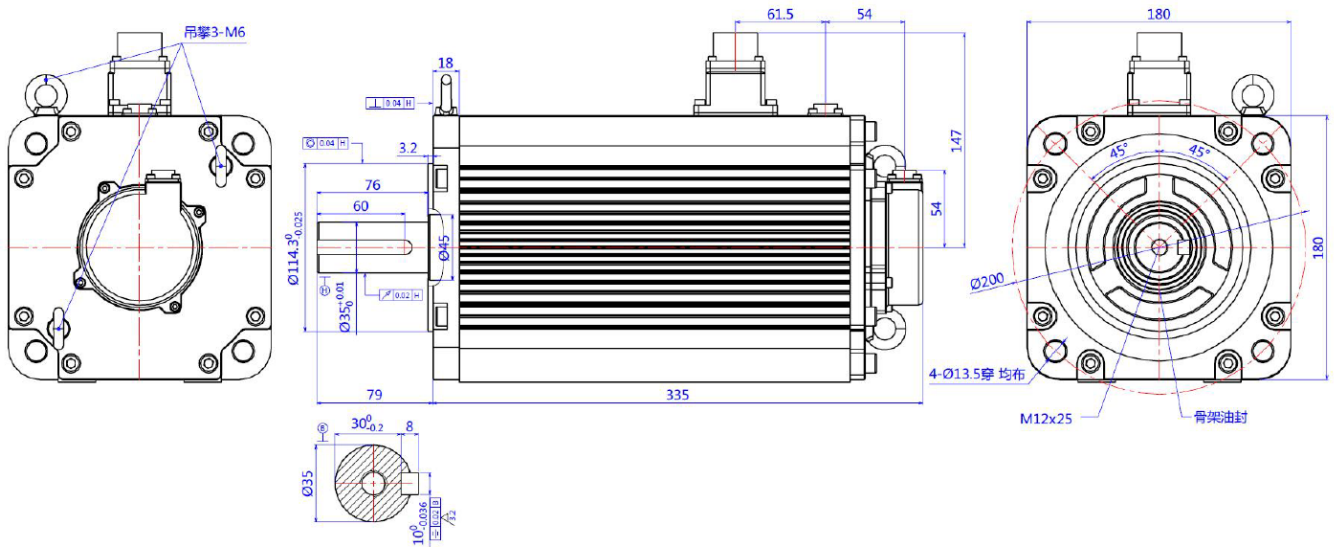


### Torque-Motor Speed Characteristics

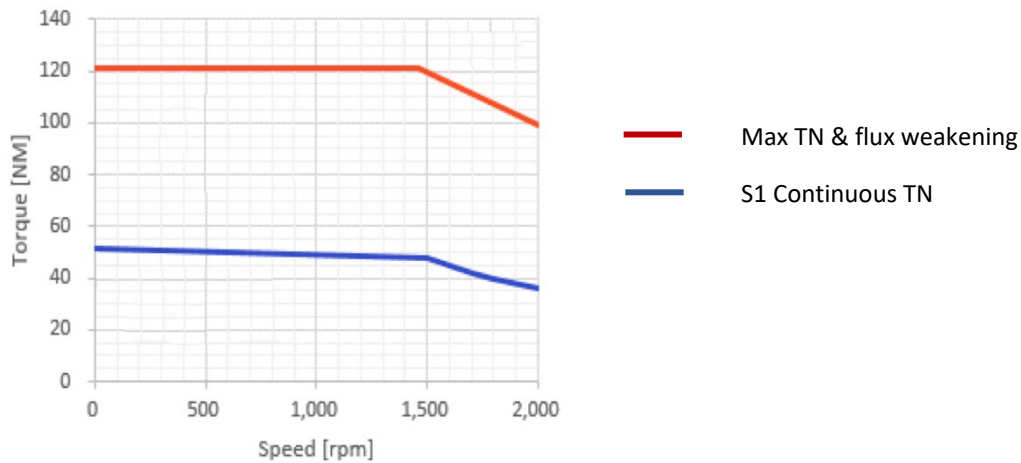


Model	Frame Size	Name	Power (KW)	Motor Length (mm)	Shaft Diameter (mm)	Shaft End Spec.(mm)			
						Keyway Width	Keyway Length	Keyway Depth	Screw Thread
S08-AM35-20□-F5	180	AM35	5.5	220.5	35	10	60	5	M12*25
S08-AM35-20B□-F5				283.5		10	60	5	M12*25

• S08-AM48-20□-F5

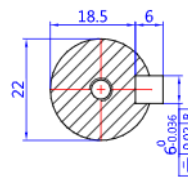
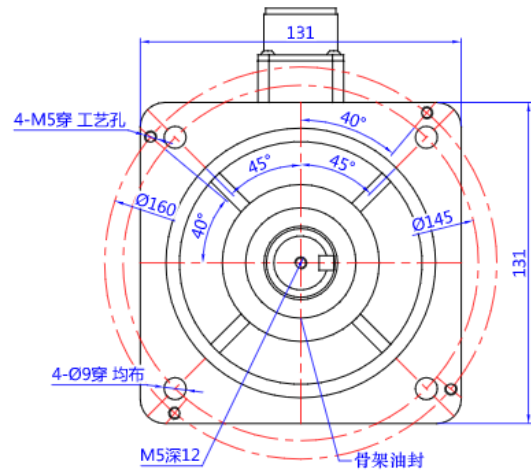
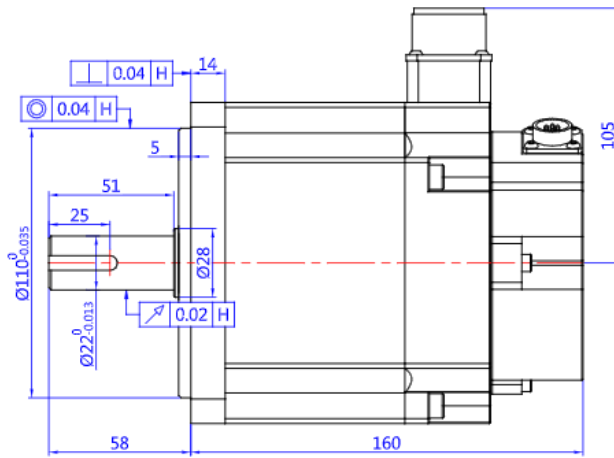


**Torque-Motor Speed Characteristics**



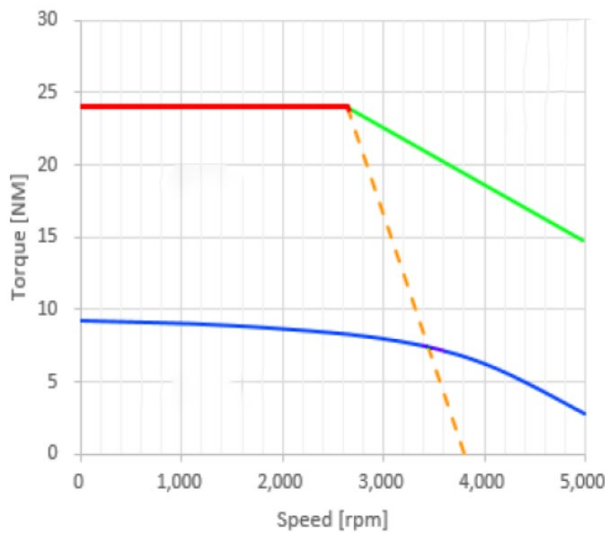
Model	Frame Size	Name	Power (KW)	Motor Length (mm)	Shaft Diameter (mm)	Shaft End Spec.(mm)			
						Keyway Width	Keyway Length	Keyway Depth	Screw Thread
S08-AM48-20□-F5	180	AM48	7.5	272	35	10	60	5	M12*25
S08-AM48-20B□-F5				335		10	60	5	M12*25

● S08-AM8-50K-F1



技术要求:  
 1 电机规格: STD13A  
 2 尾部带新代mini磁编码器

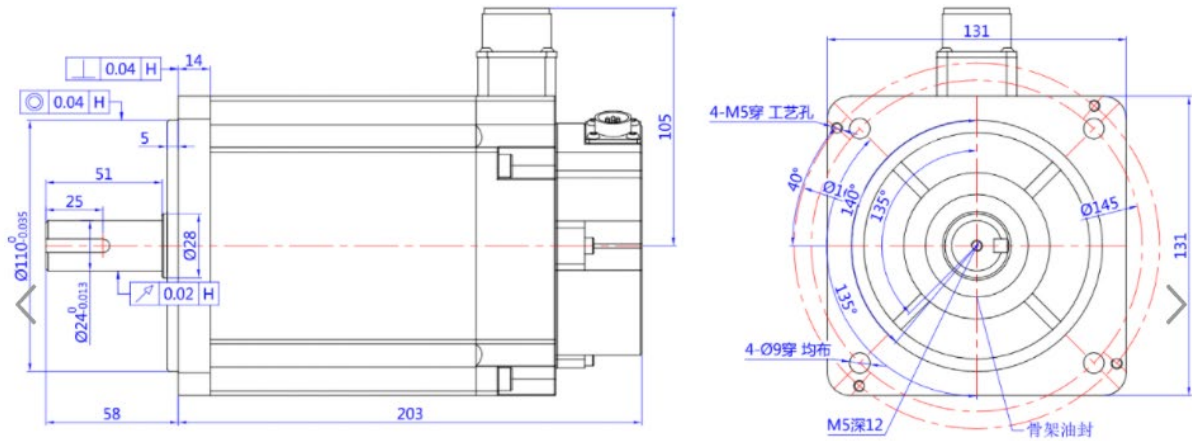
**Torque-Motor Speed Characteristics**



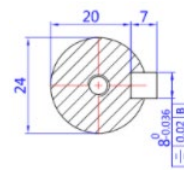
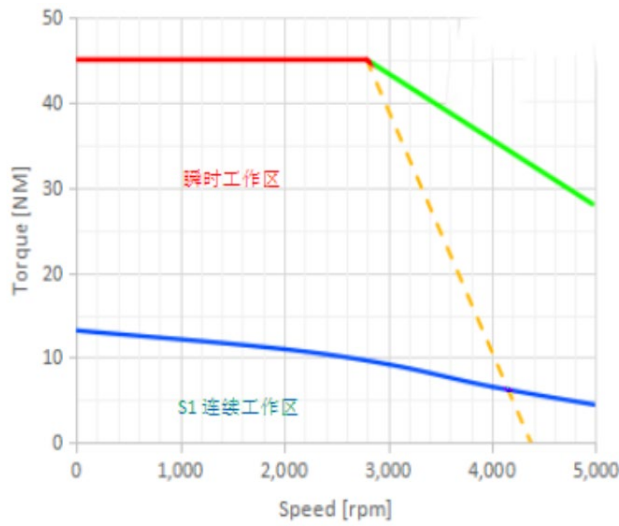
- Max TN & flux weakening
- S1 Continuous TN
- Weakening
- U limited 380V

Model	Frame Size	Name	Power (KW)	Motor Length (mm)	Shaft Diameter (mm)	Shaft End Spec.(mm)			
						Keyway Width	Keyway Length	Keyway Depth	Screw Thread
S08-AM8-50K-F1	130	AM8	1.7	160	22	6	25	6	M5*12

● S08-AM11-50K-F1



**Torque-Motor Speed Characteristics**



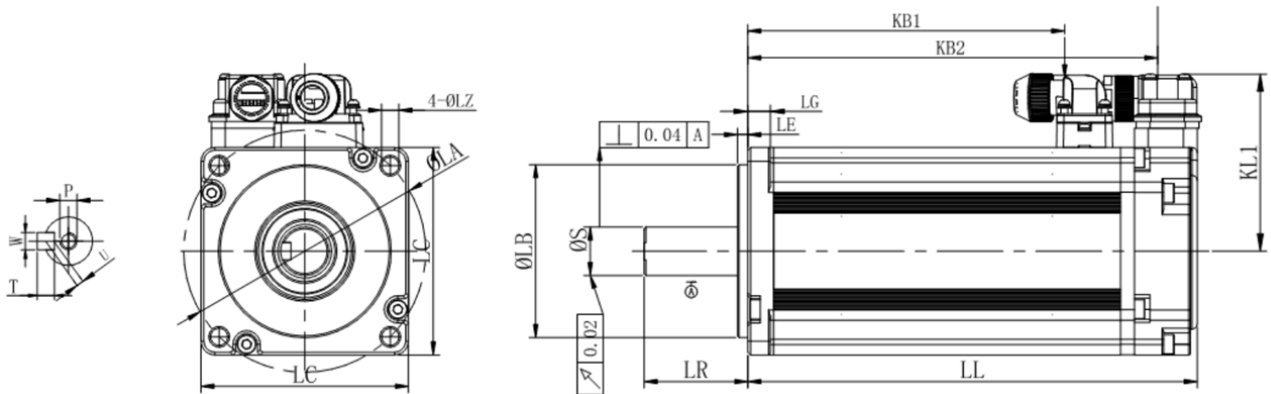
技术要求:  
 1 电机规格: STD13B  
 2 尾部带新一代mini磁编码器

- Max TN & flux weakening
- S1 Continuous TN
- Weakening
- U limited 380V

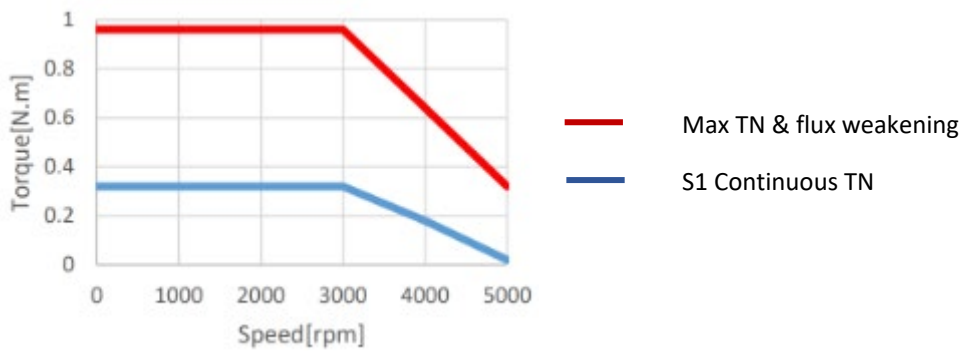
Model	Frame Size	Name	Power (KW)	Motor Length (mm)	Shaft Diameter (mm)	Shaft End Spec.(mm)			
						Keyway Width	Keyway Length	Keyway Depth	Screw Thread
S08-AM8-50K-F1	130	AM11	2.3	203	24	8	25	4	M5*12

# Z Series

- S08 - AM03 - 50□ - Z3

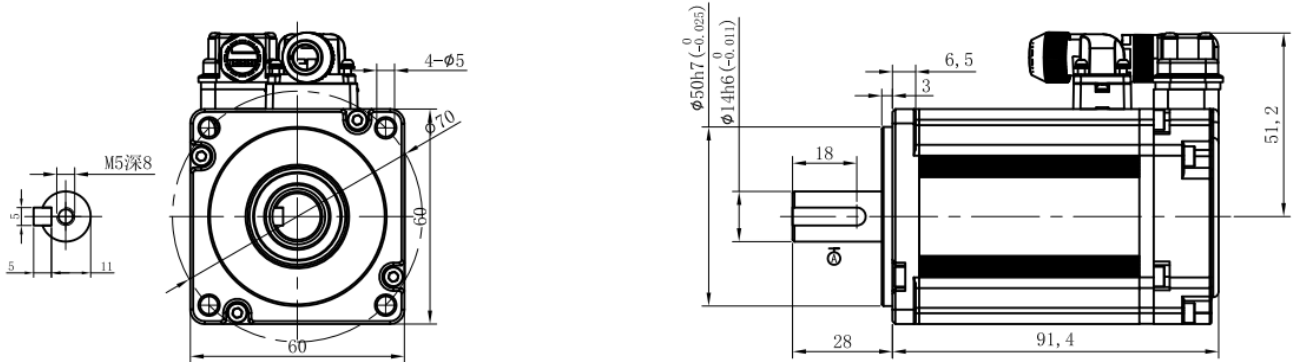


**Torque-Motor Speed Characteristics**

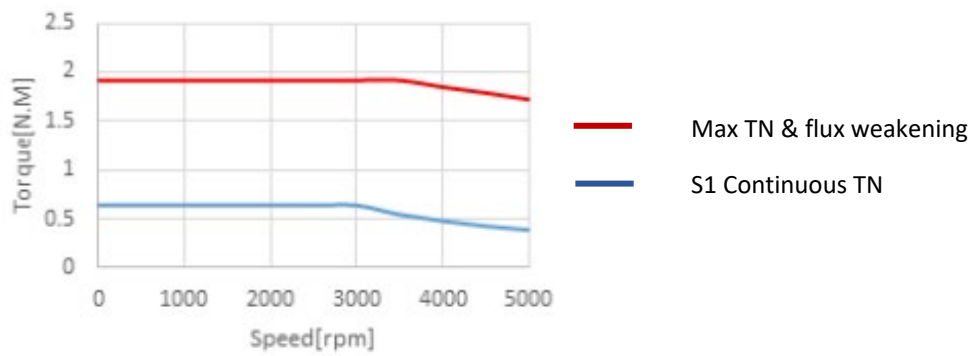


Model	Frame Size	Name	Power (KW)	Motor Length (mm)	Shaft Diameter (mm)	Shaft End Spec.(mm)			
						Keyway Width	3	Keyway Length	14
S08-AM03-50□-Z3	40	AM03	0.1	98.1	8	Keyway Depth	3	Screw Thread	M3*6
S08-AM03-50B□-Z3				137.2		Keyway Width	3	Keyway Length	14
				Keyway Depth		3	Screw Thread	M3*6	

- S08 - AM06 - 50□ - Z3

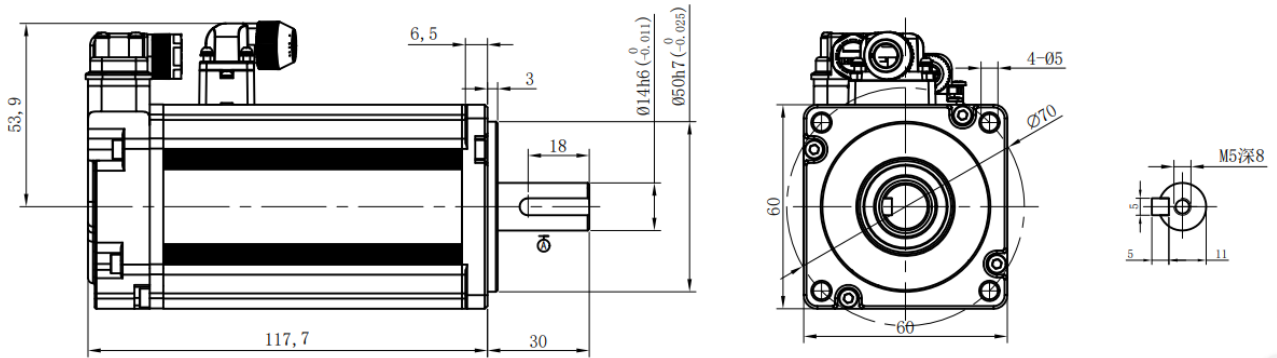


### Torque-Motor Speed Characteristics



Model	Frame Size	Name	Power (KW)	Motor Length (mm)	Shaft Diameter (mm)	Shaft End Spec.(mm)			
						Keyway Width	Keyway Length	Screw Thread	Keyway Depth
S08-AM06-50□-Z3	60	AM06	0.2	91.4	14	5	18	M5*8	5
S08-AM06-50B□-Z3				5		18	M5*8	5	

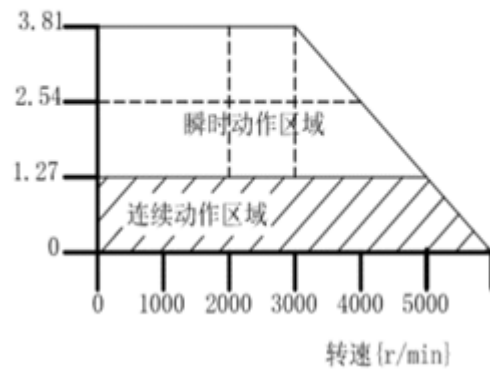
- S08 – AM1 - 60□ – Z4



### Torque-Motor Speed Characteristics

电源电压 (AC:220V)

转矩 (N·m) 虚线为参考线

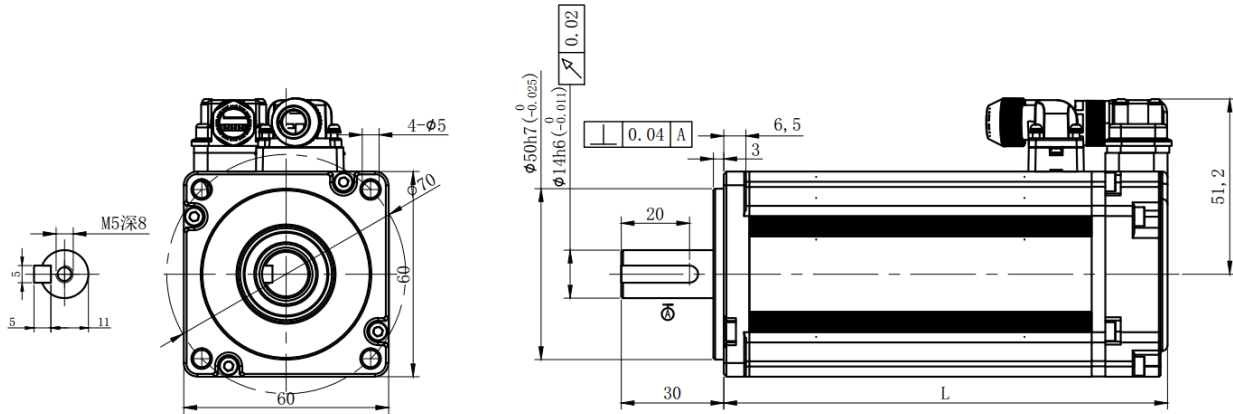


— Max TN & flux weakening

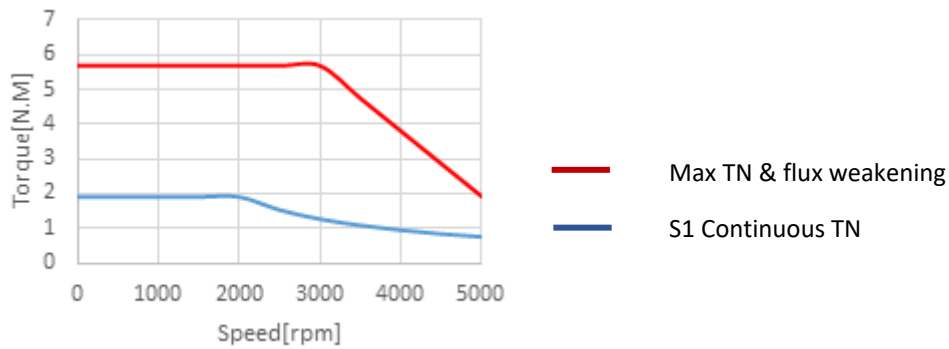
— S1 Continuous TN

Model	Frame Size	Name	Power (KW)	Motor Length (mm)	Shaft Diameter (mm)	Shaft End Spec.(mm)			
						Keyway Width	Keyway Length	Keyway Depth	Screw Thread
S08-AM1-60□-Z4	60	AM1	0.4	117.7	14	5	18	3	M5*8
S08-AM1-60B□-Z4				153		5	18	3	M5*8

- S08 – AM1 - 50□ – Z3



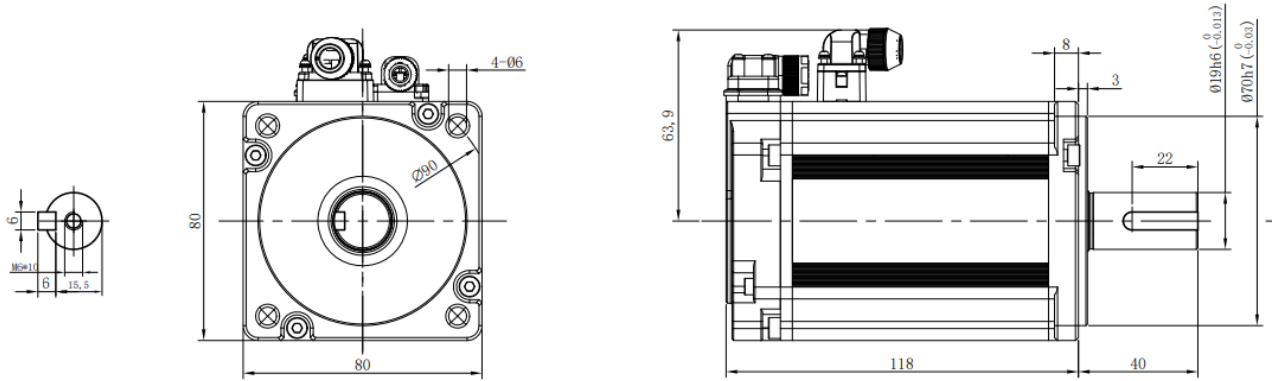
### Torque-Motor Speed Characteristics



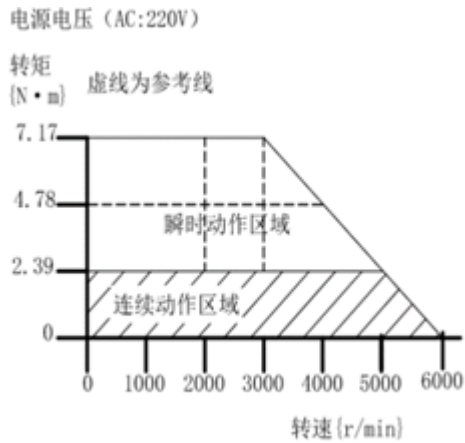
Model	Frame Size	Name	Power (KW)	Motor Length (mm)	Shaft Diameter (mm)	Shaft End Spec.(mm)			
						Keyway Width	Keyway Length	Keyway Depth	Screw Thread
S08-AM1-50□-Z3	60	AM1	0.4	130	14	5	20	4	M5*8
S08-AM1-50B□-Z3				168		5	20	4	M5*8



- S08 – AM2 - 60□ – Z4

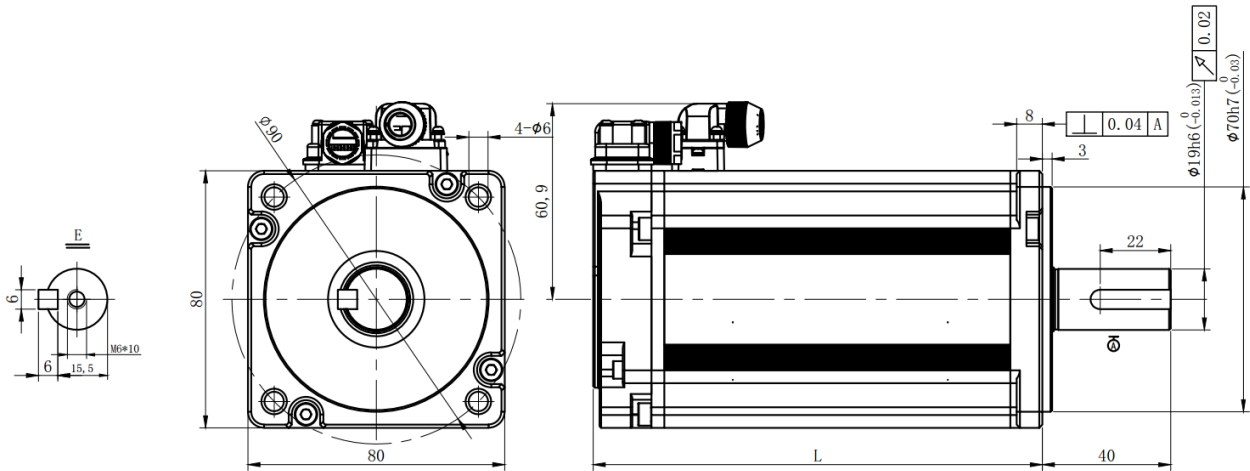


### Torque-Motor Speed Characteristics

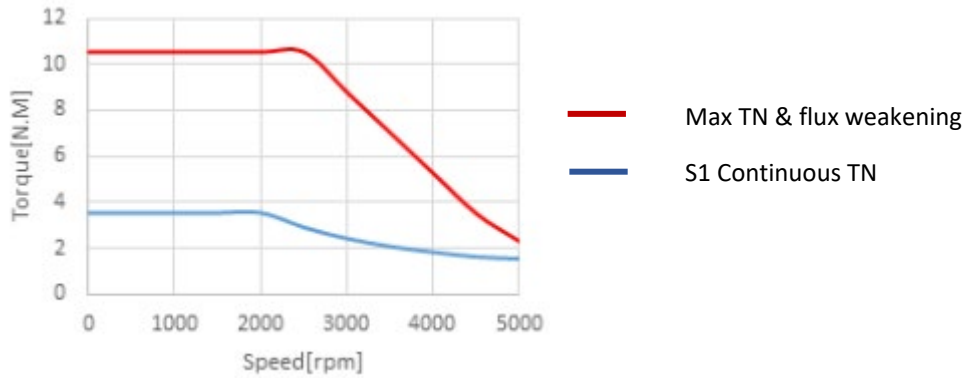


Model	Frame Size	Name	Power (KW)	Motor Length (mm)	Shaft Diameter (mm)	Shaft End Spec.(mm)			
						Keyway Width	Keyway Length	Keyway Depth	Screw Thread
S08-AM2-60□-Z4	80	AM2	0.75	118	19	6	22	3.5	M6*10
S08-AM2-60B□-Z4				159		6	22	3.5	M6*10

- S08 – AM3 - 50□ – Z3



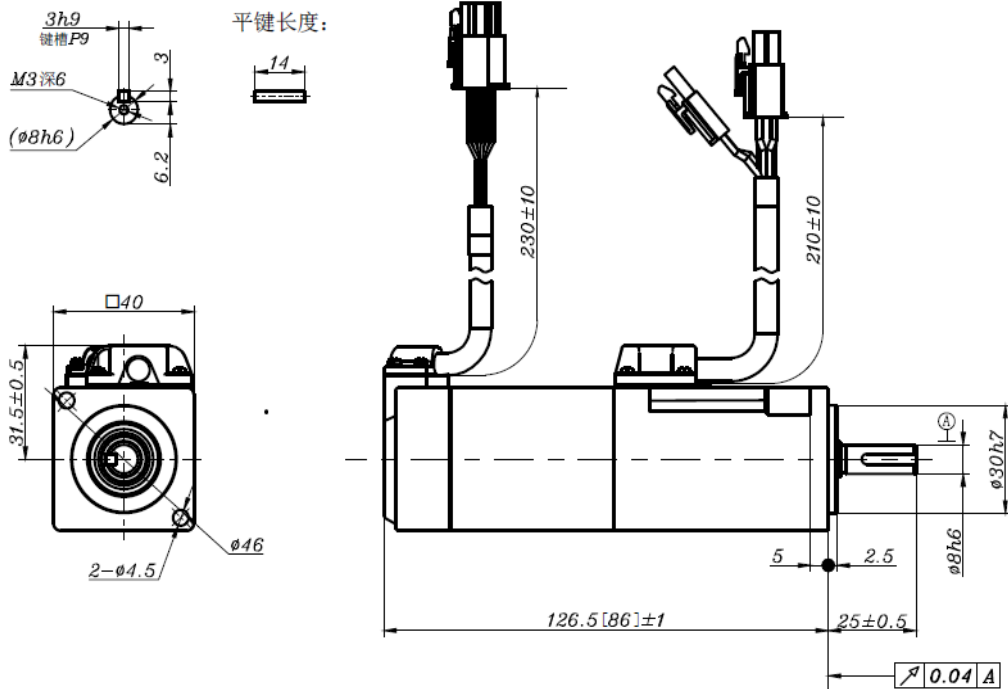
### Torque-Motor Speed Characteristics



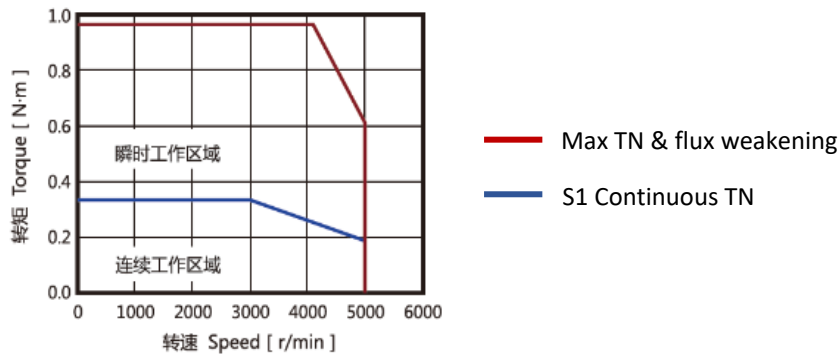
Model	Frame Size	Name	Power (KW)	Motor Length (mm)	Shaft Diameter (mm)	Shaft End Spec.(mm)			
						Keyway Width	Keyway Length	Keyway Depth	Screw Thread
S08-AM3-50□-Z3	80	AM3	1.0	140	19	6	22	3.5	M6*10
S08-AM3-50B□-Z3				181		6	22	3.5	M6*10

# H Series

- S08 - AM03 - 50□ - H1

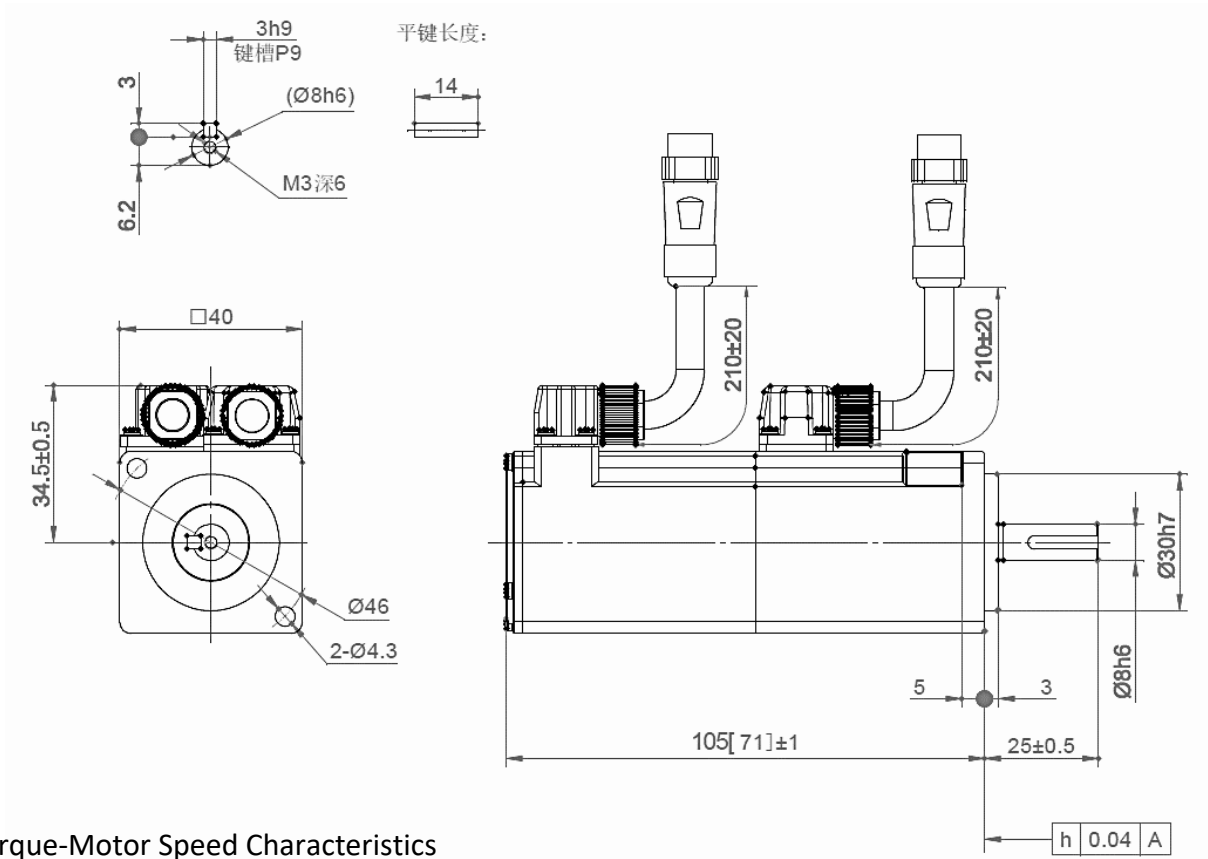


Torque-Motor Speed Characteristics

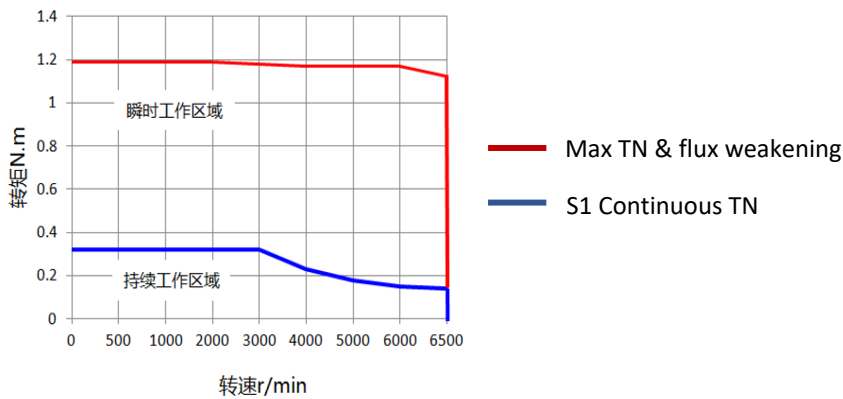


Model	Frame Size	Name	Power (KW)	Motor Length (mm)	Shaft Diameter (mm)	Shaft End Spec.(mm)			
						Keyway Width	Keyway Length	Screw Thread	Keyway Depth
S08-AM03-50□-H1	40	AM03	0.1	86	8	3	14	M3*6	3
S08-AM03-50B□-H1				3		14	M3*6	3	
	126.5	3	14	M3*6		3			
		3	14	M3*6		3			

- S08 - AM03 - 50□ - H3

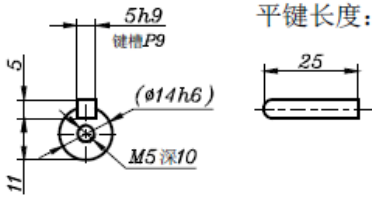


Torque-Motor Speed Characteristics

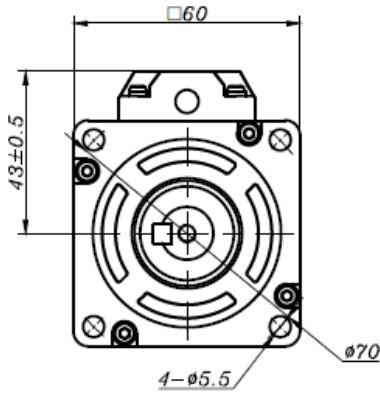
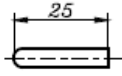


Model	Frame Size	Name	Power (KW)	Motor Length (mm)	Shaft Diameter (mm)	Shaft End Spec.(mm)			
						Keyway Width	Keyway Length	Keyway Depth	Screw Thread
S08-AM03-50□-H3	40	AM03	0.1	71	8	3	14	1.8	M3*6
S08-AM03-50B□-H3				105		3	14	1.8	M3*6

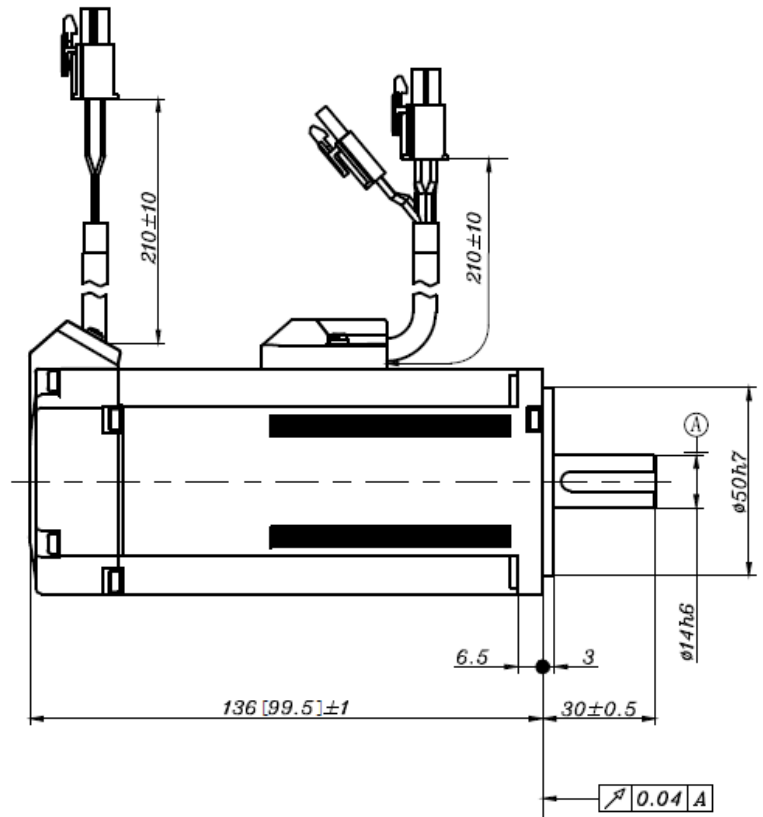
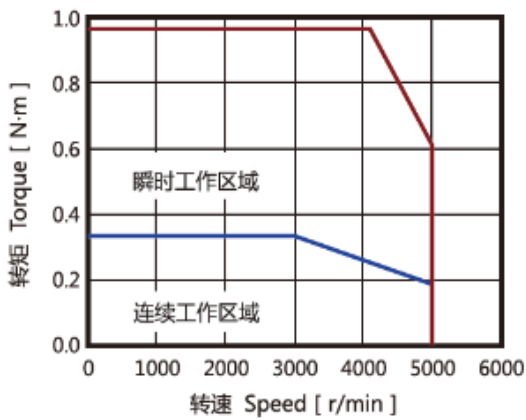
• S08 - AM06 - 50□ - H1



平键长度:



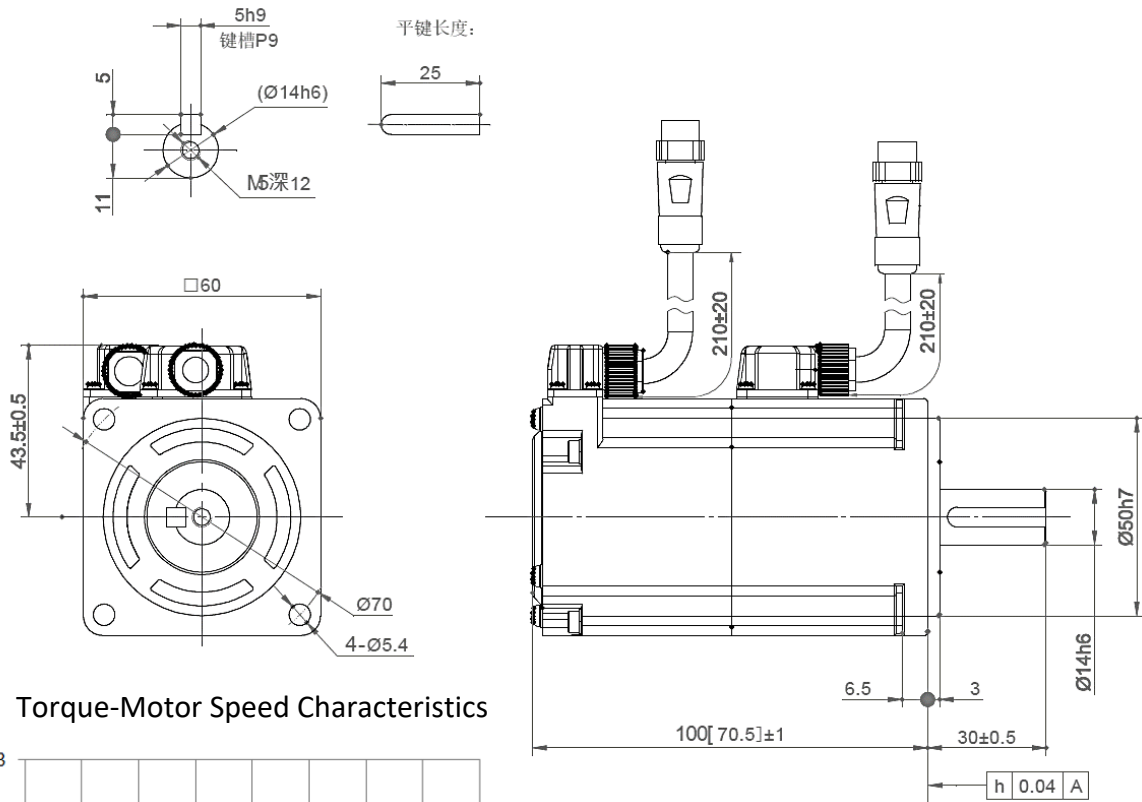
Torque-Motor Speed Characteristics



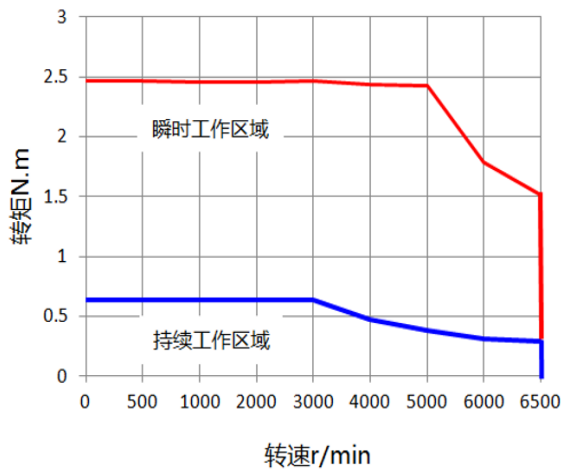
- Max TN & flux weakening
- S1 Continuous TN

Model	Frame Size	Name	Power (KW)	Motor Length (mm)	Shaft Diameter (mm)	Shaft End Spec.(mm)			
						Keyway Width	Keyway Length	Keyway Depth	Screw Thread
S08-AM06-50□-H1	60	AM06	0.2	99.5	14	5	25	5	M5*10
S08-AM06-50B□-H1				136		5	25	5	M5*10

● S08 – AM06-50□-H3



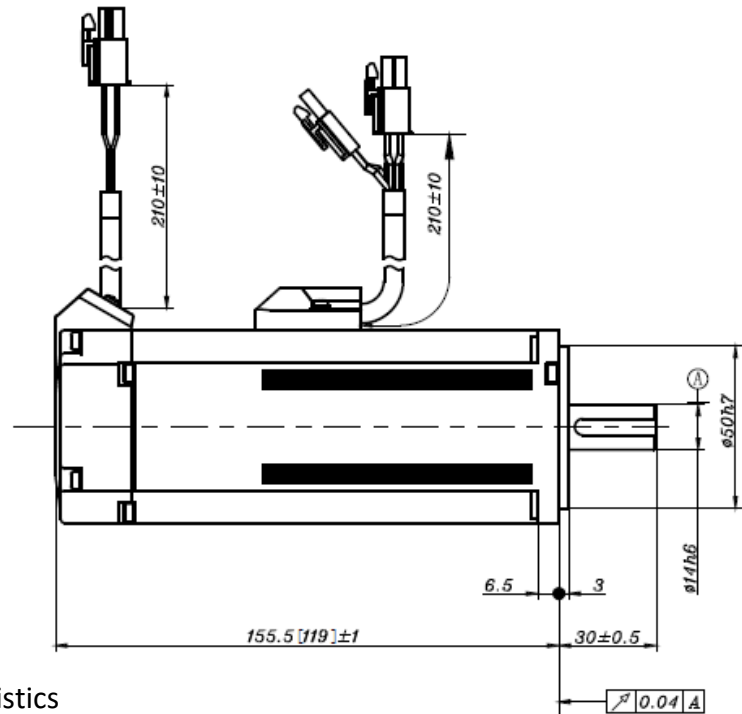
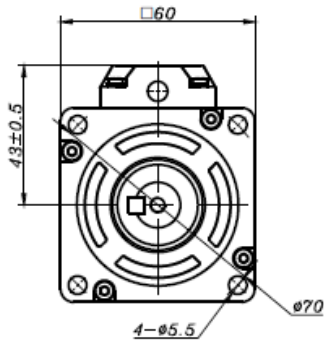
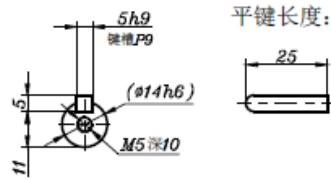
Torque-Motor Speed Characteristics



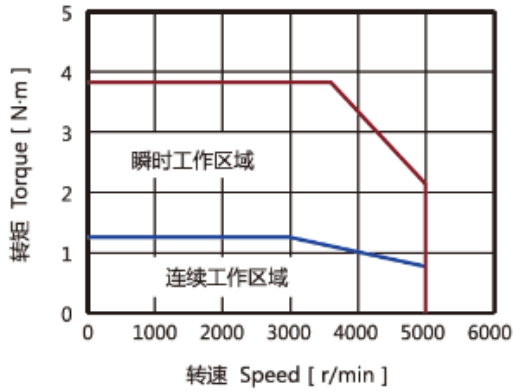
Model	Frame Size	Name	Power (KW)	Motor Length (mm)	Shaft Diameter (mm)	Shaft End Spec.(mm)			
						Keyway Width	Keyway Length	Keyway Depth	Screw Thread
S08-AM06-50□-H3	60	AM06	0.2	70.5	14	5	25	3	M5*12
S08-AM06-50B□-H3				100		5	25	3	M5*12

- S08 – AM1-50□-H1

轴端面局部:

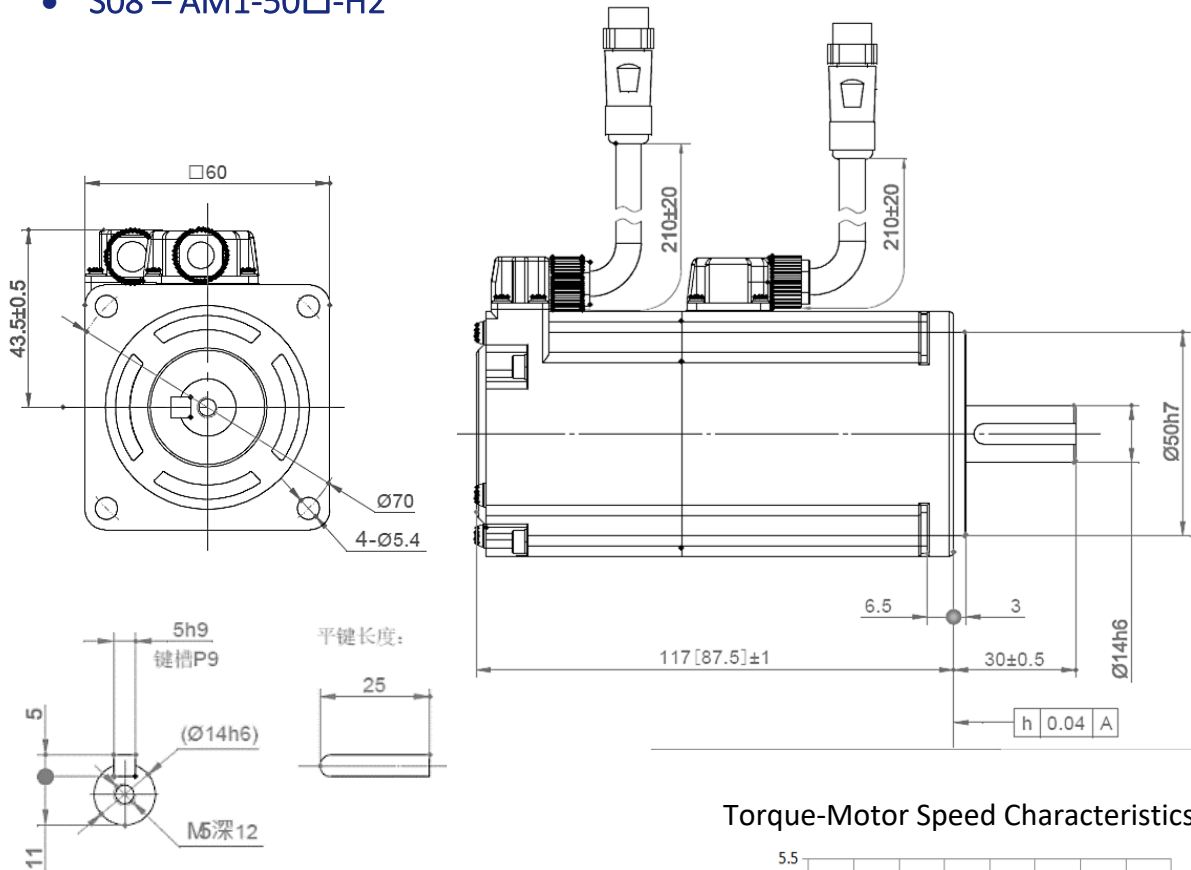


Torque-Motor Speed Characteristics

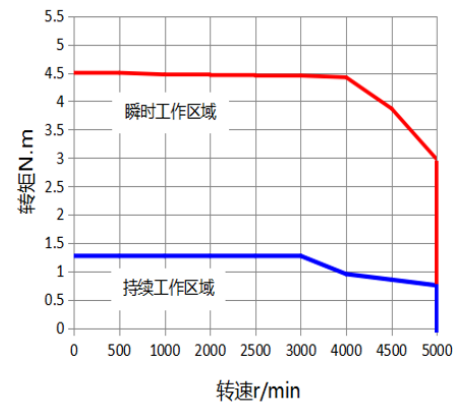


Model	Frame Size	Name	Power (KW)	Motor Length (mm)	Shaft Diameter (mm)	Shaft End Spec.(mm)			
						Keyway Width	Keyway Length	Keyway Depth	Screw Thread
S08-AM1-50□-H1	60	AM1	0.4	119	14	5	25	5	M5*10
S08-AM1-50B□-H1				155.5		5	25	5	M5*10

- S08 – AM1-50□-H2



Torque-Motor Speed Characteristics

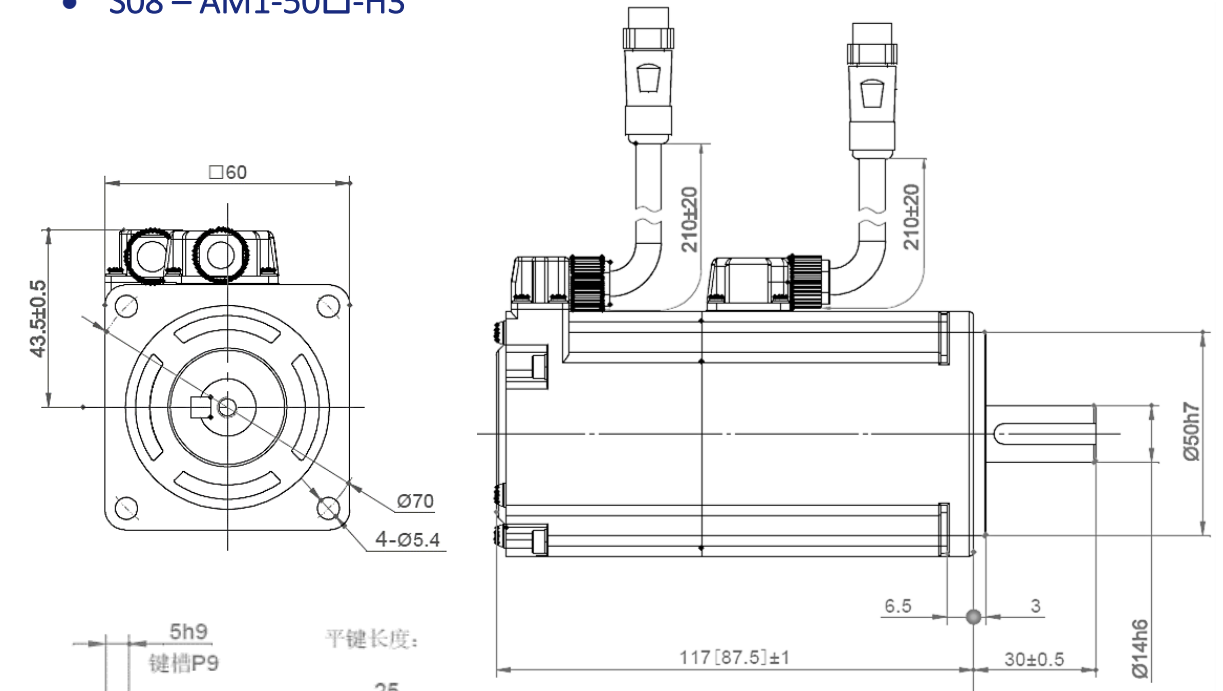


— Max TN & flux weakening  
 — S1 Continuous TN

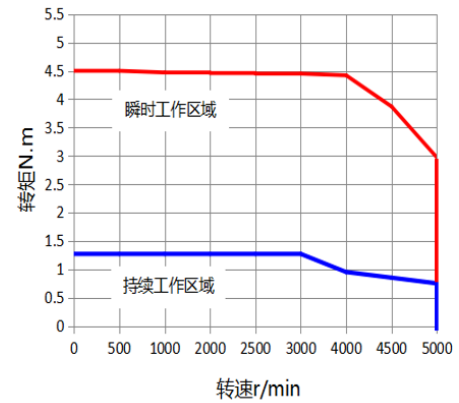
Model	Frame Size	Name	Power (KW)	Motor Length (mm)	Shaft Diameter (mm)	Shaft End Spec.(mm)			
						Keyway Width	Keyway Length	Keyway Depth	Screw Thread
S08-AM1-50□-H2	60	AM1	0.4	87.6	14	5	25	3	M5*12
S08-AM1-50B□-H2				5		25	3	M5*12	



- S08 – AM1-50□-H3



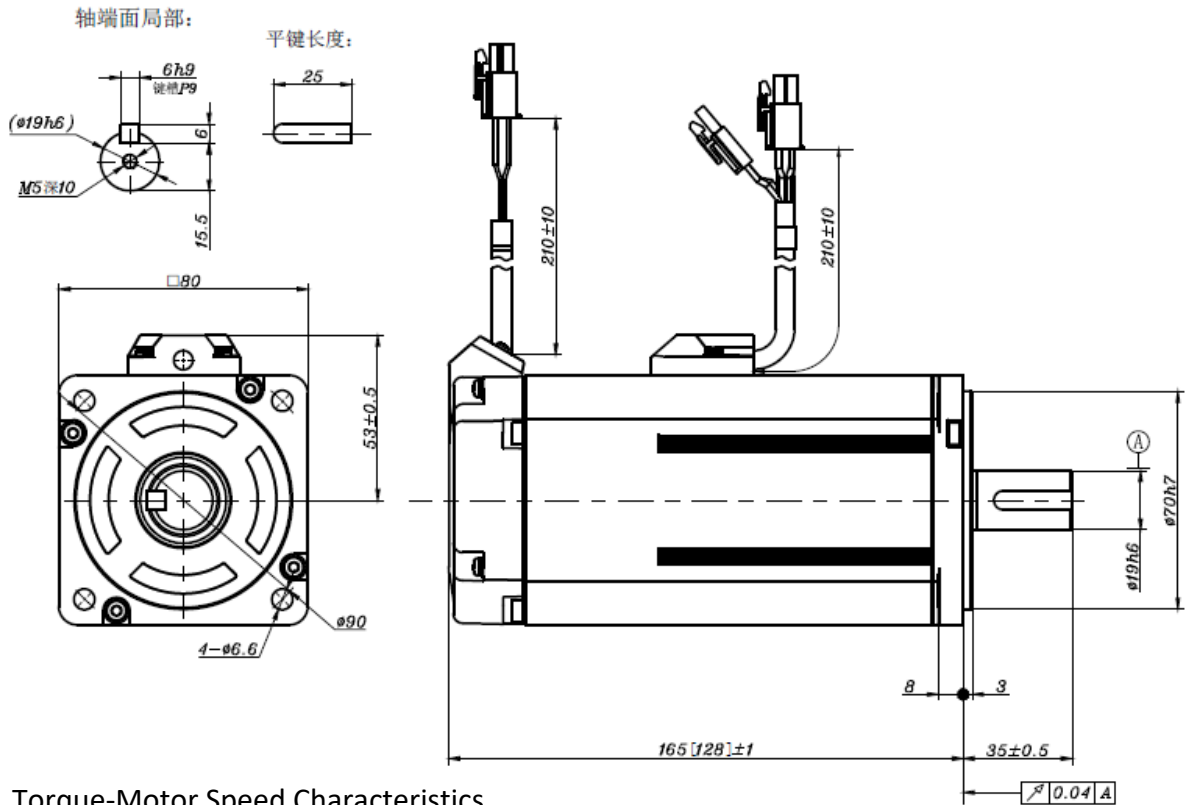
Torque-Motor Speed Characteristics



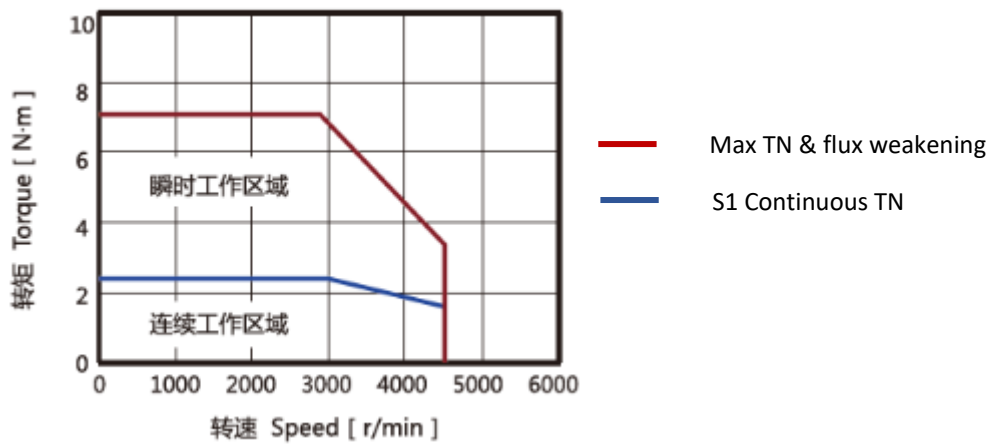
— Max TN & flux weakening  
 — S1 Continuous TN

Model	Frame Size	Name	Power (KW)	Motor Length (mm)	Shaft Diameter (mm)	Shaft End Spec. (mm)			
						Keyway Width	Keyway Length	Keyway Depth	Screw Thread
S08-AM1-50□-H3	60	AM1	0.4	87.6	14	5	25	3	M5*12
S08-AM1-50B□-H3				177		5	25	3	M5*12

- S08 – AM2-50□-H1

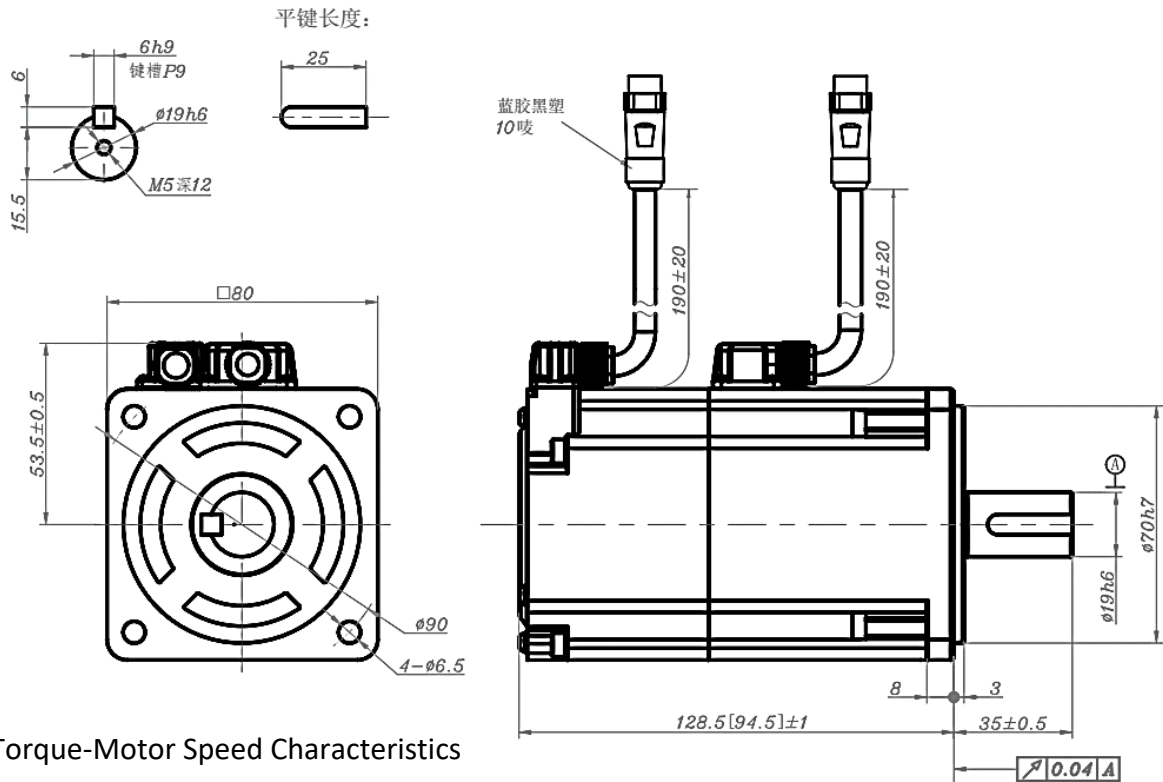


Torque-Motor Speed Characteristics

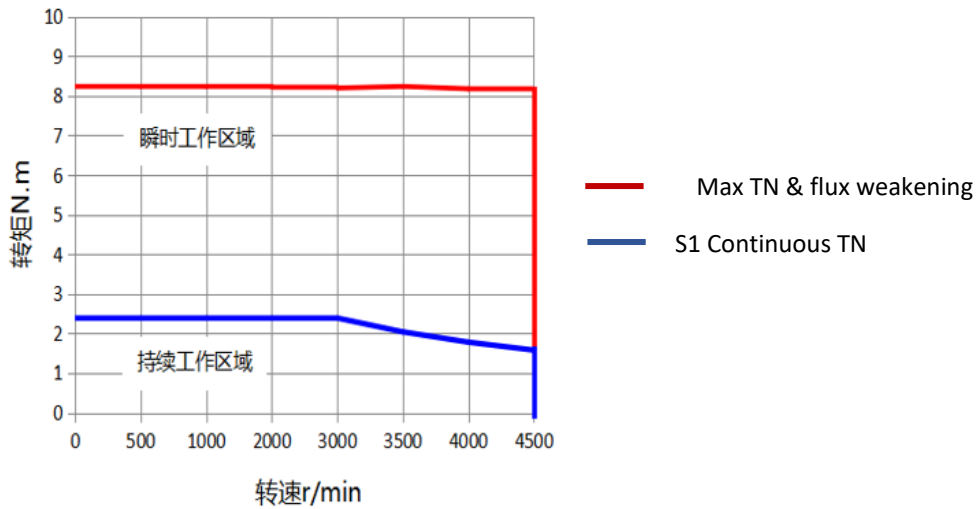


Model	Frame Size	Name	Power (KW)	Motor Length (mm)	Shaft Diameter (mm)	Shaft End Spec.(mm)			
						Keyway Width	Keyway Depth	Keyway Length	Screw Thread
S08-AM2-50□-H1	60	AM2	0.75	128	19	6	6	25	M5*10
S08-AM2-50B□-H1				6		6	25	M5*10	

● S08 – AM2-50□-H2

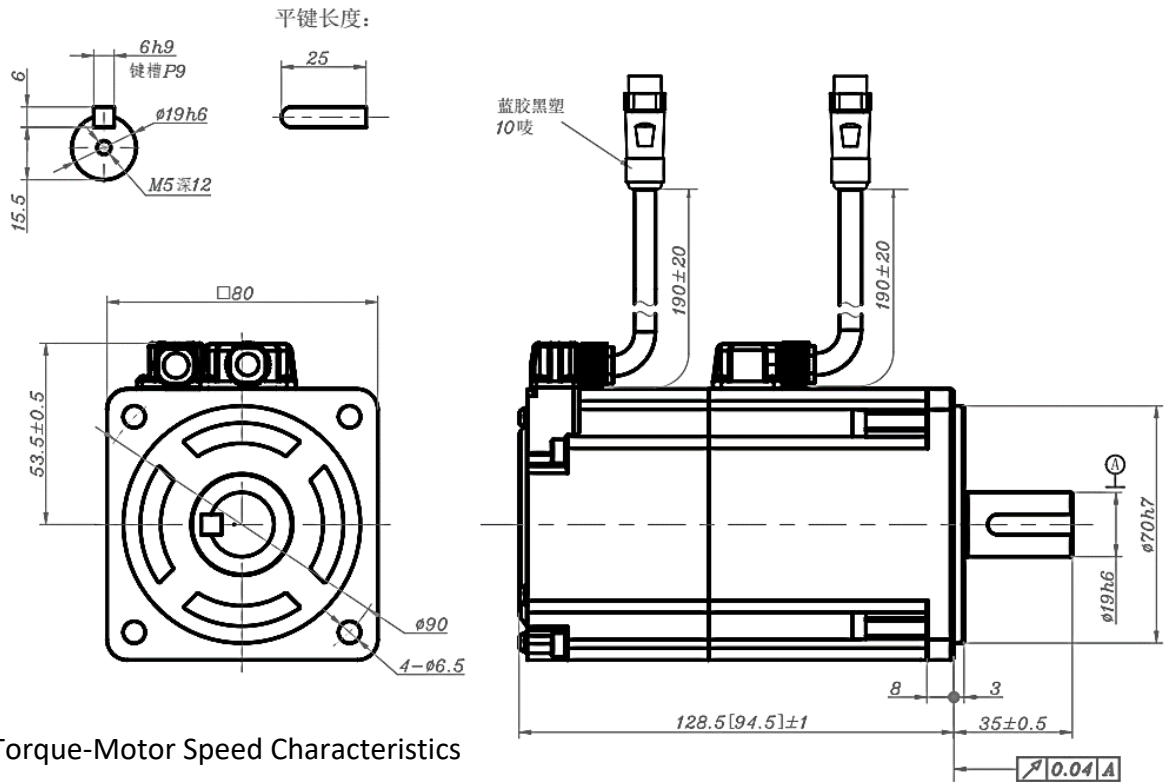


Torque-Motor Speed Characteristics

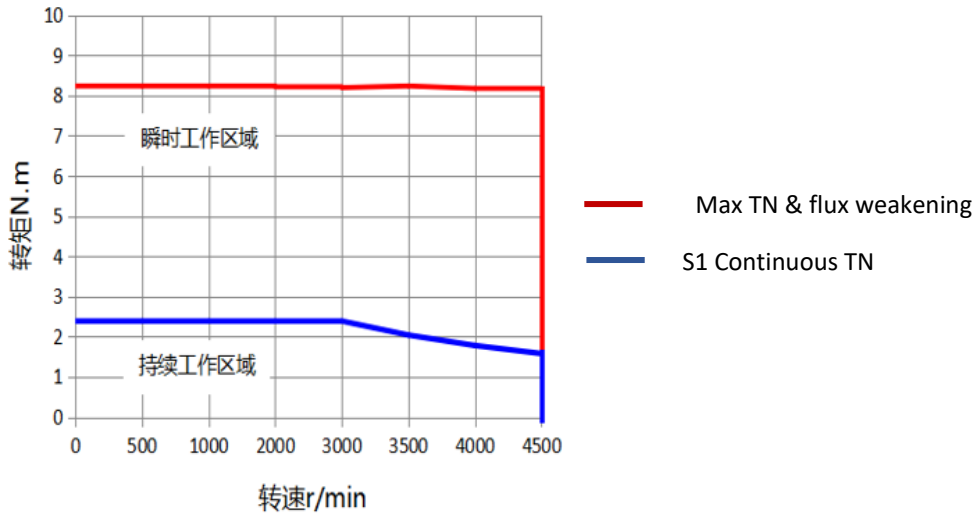


Model	Frame Size	Name	Power (KW)	Motor Length (mm)	Shaft Diameter (mm)	Shaft End Spec.(mm)			
						Keyway Width	Keyway Length	Keyway Depth	Screw Thread
S08-AM2-50□-H2	80	AM2	0.75	94.5	19	6	25	2.5	M6*12
S08-AM2-50B□-H2				128.5		6	25	2.5	M6*12

● S08 – AM2-50□-H3

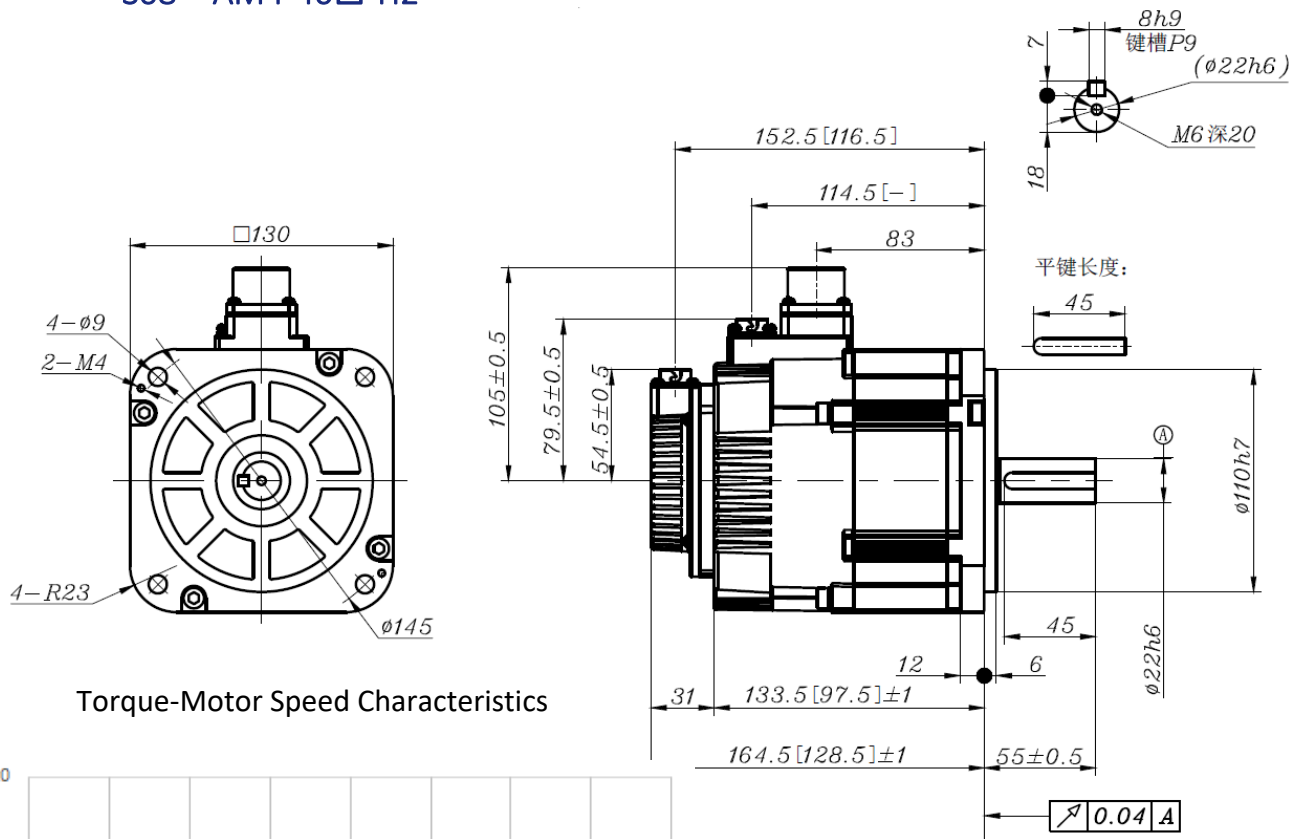


Torque-Motor Speed Characteristics

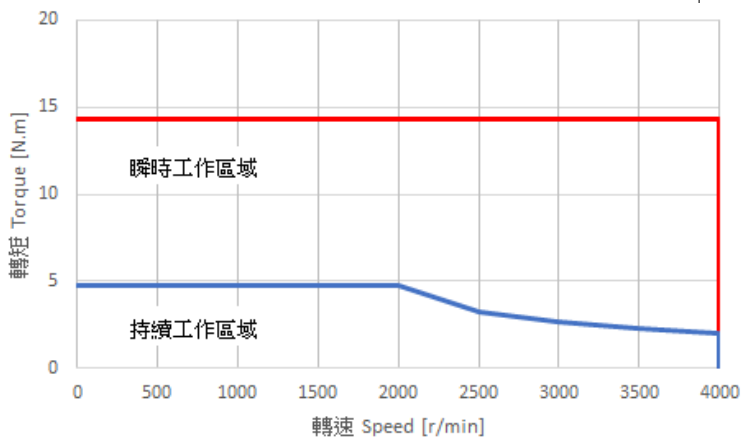


Model	Frame Size	Name	Power (KW)	Motor Length (mm)	Shaft Diameter (mm)	Shaft End Spec.(mm)			
						Keyway Width	Keyway Depth	Keyway Length	Screw Thread
S08-AM2-50□-H3	80	AM2	0.75	94.5	19	6	2.5	25	M6*12
S08-AM2-50B□-H3				6		2.5	25	M6*12	

• S08 – AM4-40□-H2



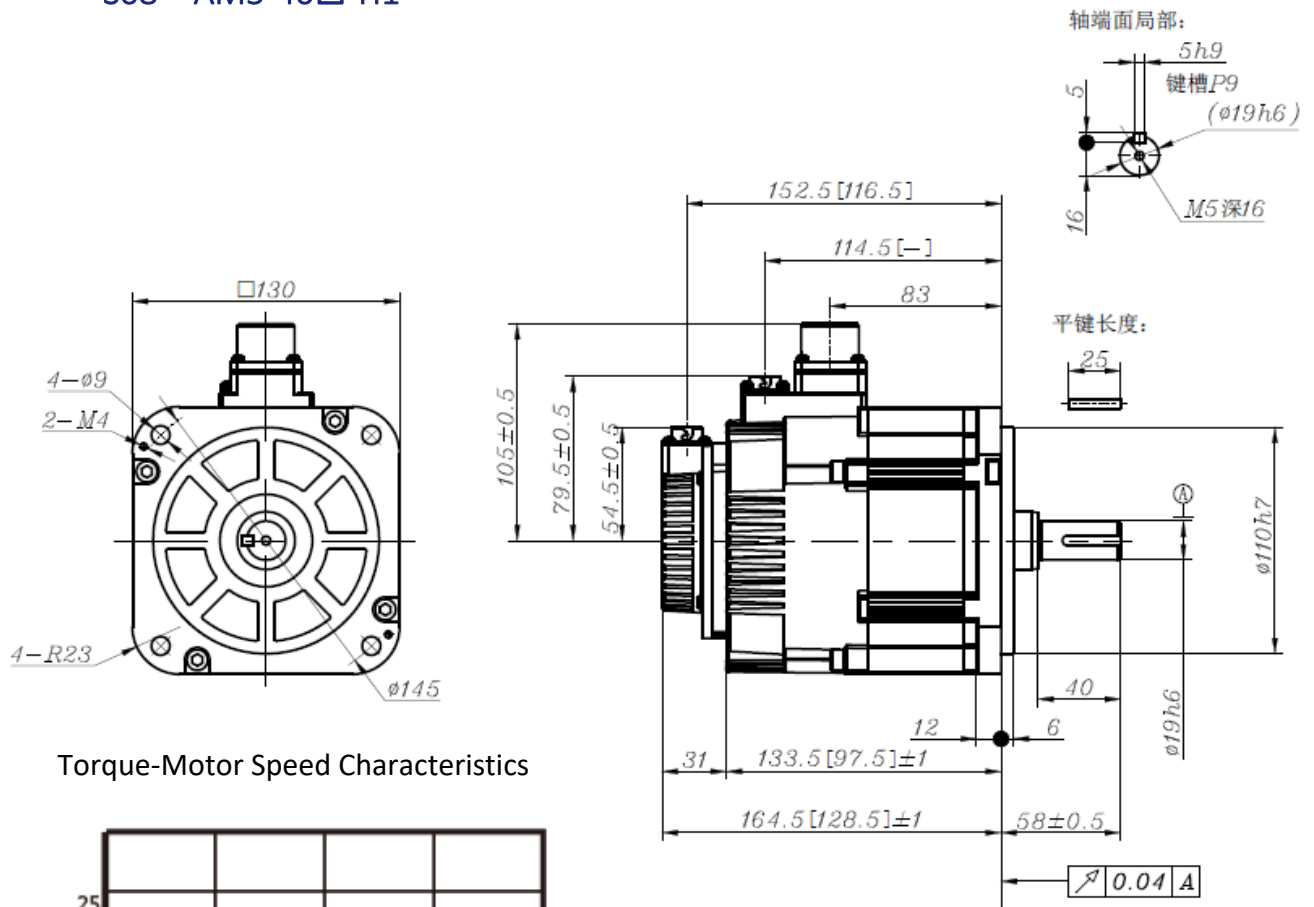
Torque-Motor Speed Characteristics



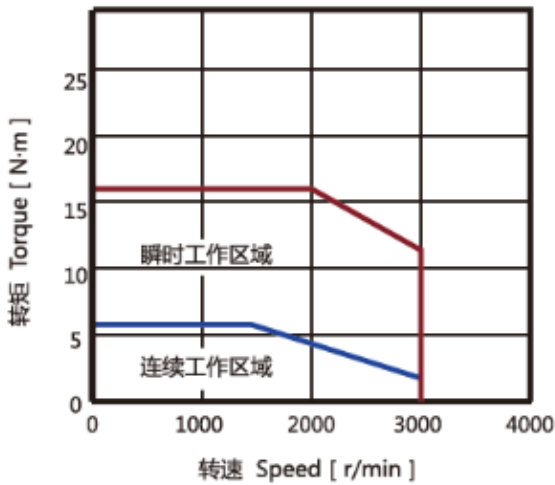
— Max TN & flux weakening  
 — S1 Continuous TN

Model	Frame Size	Name	Power (KW)	Motor Length (mm)	Shaft Diameter (mm)	Shaft End Spec.(mm)			
						Keyway Width	Keyway Length	Keyway Depth	Screw Thread
S08-AM4-40□-H2	130	AM4	1	128.5	22	8	45	4	M6*20
S08-AM4-40B□-H2				164.5		8	45	4	M6*20

- S08 – AM5-40□-H1



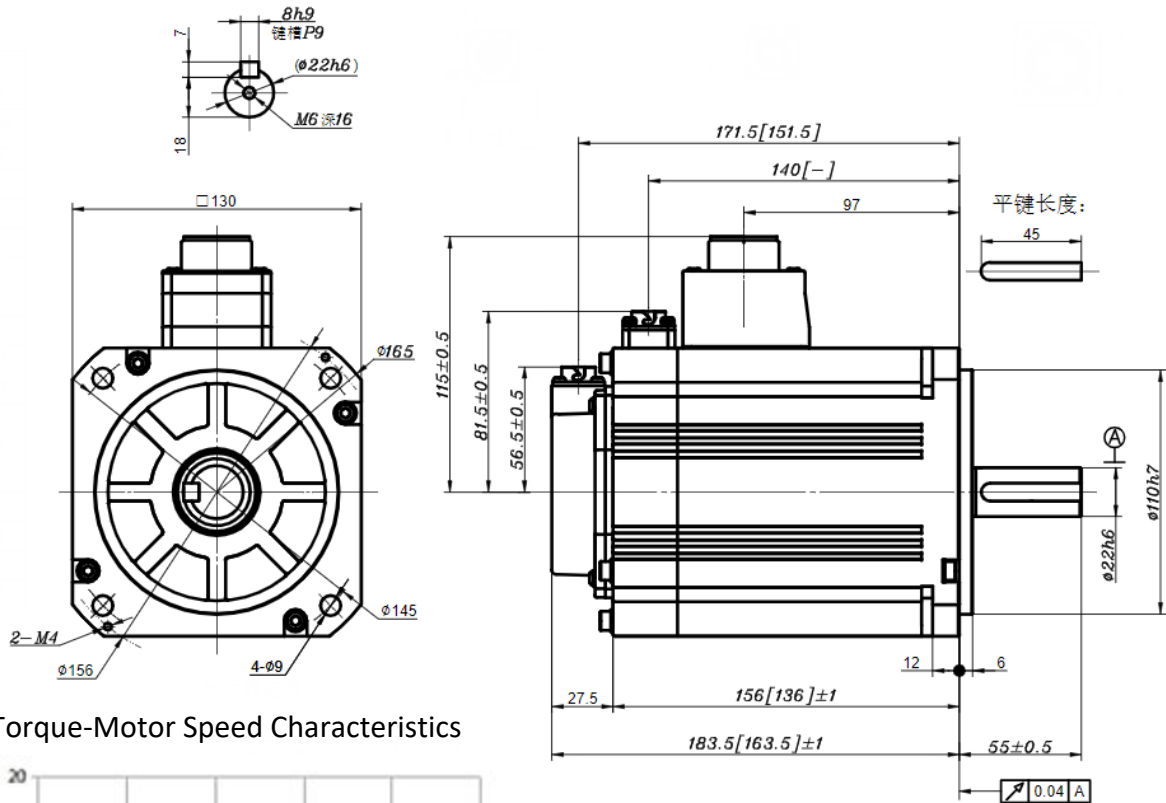
Torque-Motor Speed Characteristics



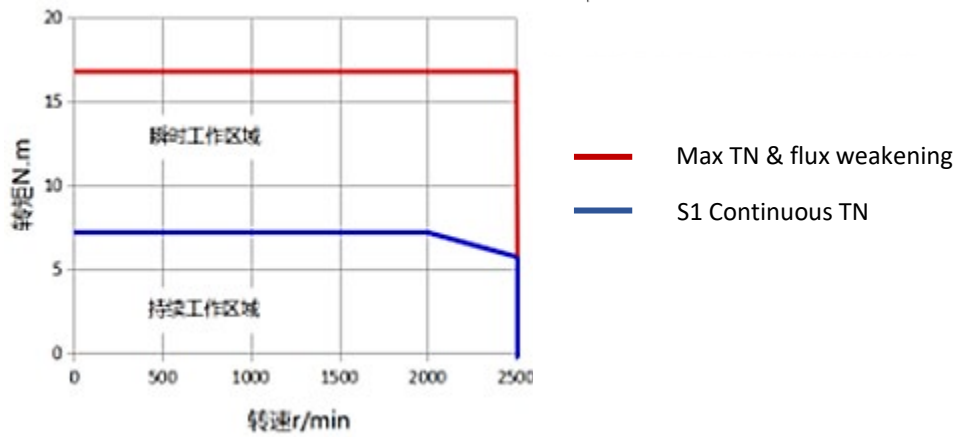
— Max TN & flux weakening  
 — S1 Continuous TN

Model	Frame Size	Name	Power (KW)	Motor Length (mm)	Shaft Diameter (mm)	Shaft End Spec.(mm)			
						Keyway Width	Keyway Length	Keyway Depth	Screw Thread
S08-AM5-40□-H1	130	AM5	0.85	128.5	19	5	25	5	M5*16
S08-AM5-40B□-H1				164.5		5	25	5	M5*16

- S08 – AM7-25□-H2

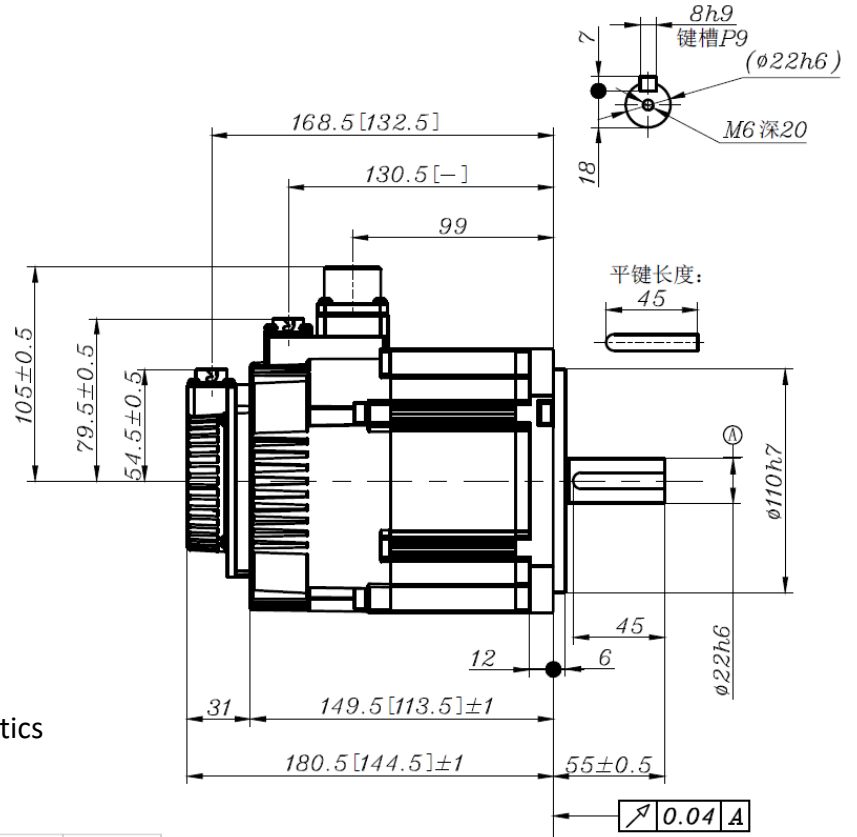
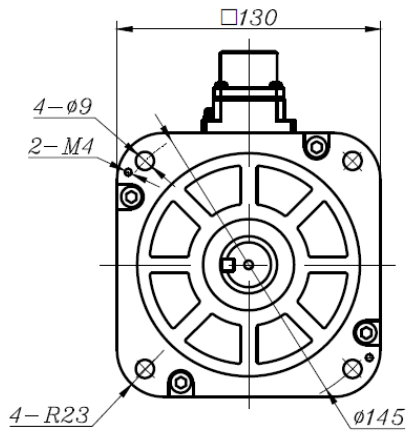


Torque-Motor Speed Characteristics

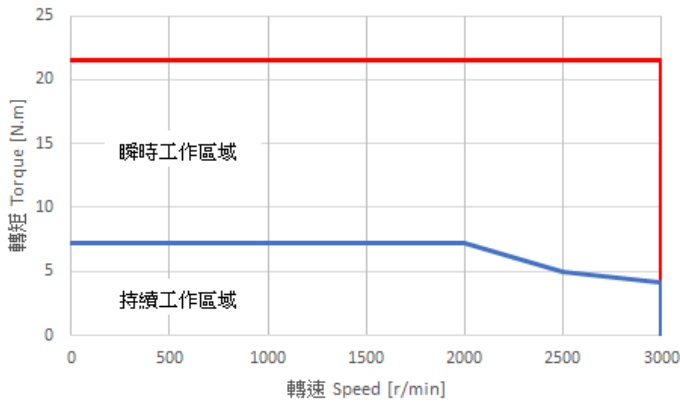


Model	Frame Size	Name	Power (KW)	Motor Length (mm)	Shaft Diameter (mm)	Shaft End Spec.(mm)			
						Keyway Width	Keyway Length	Keyway Depth	Screw Thread
S08-AM7-25□-H2	130	AM7	1.5	163.5	22	8	45	4	M6*16
S08-AM7-25B□-H2				183.5		8	45	4	M6*16

• S08 – AM7-30□-H2



Torque-Motor Speed Characteristics

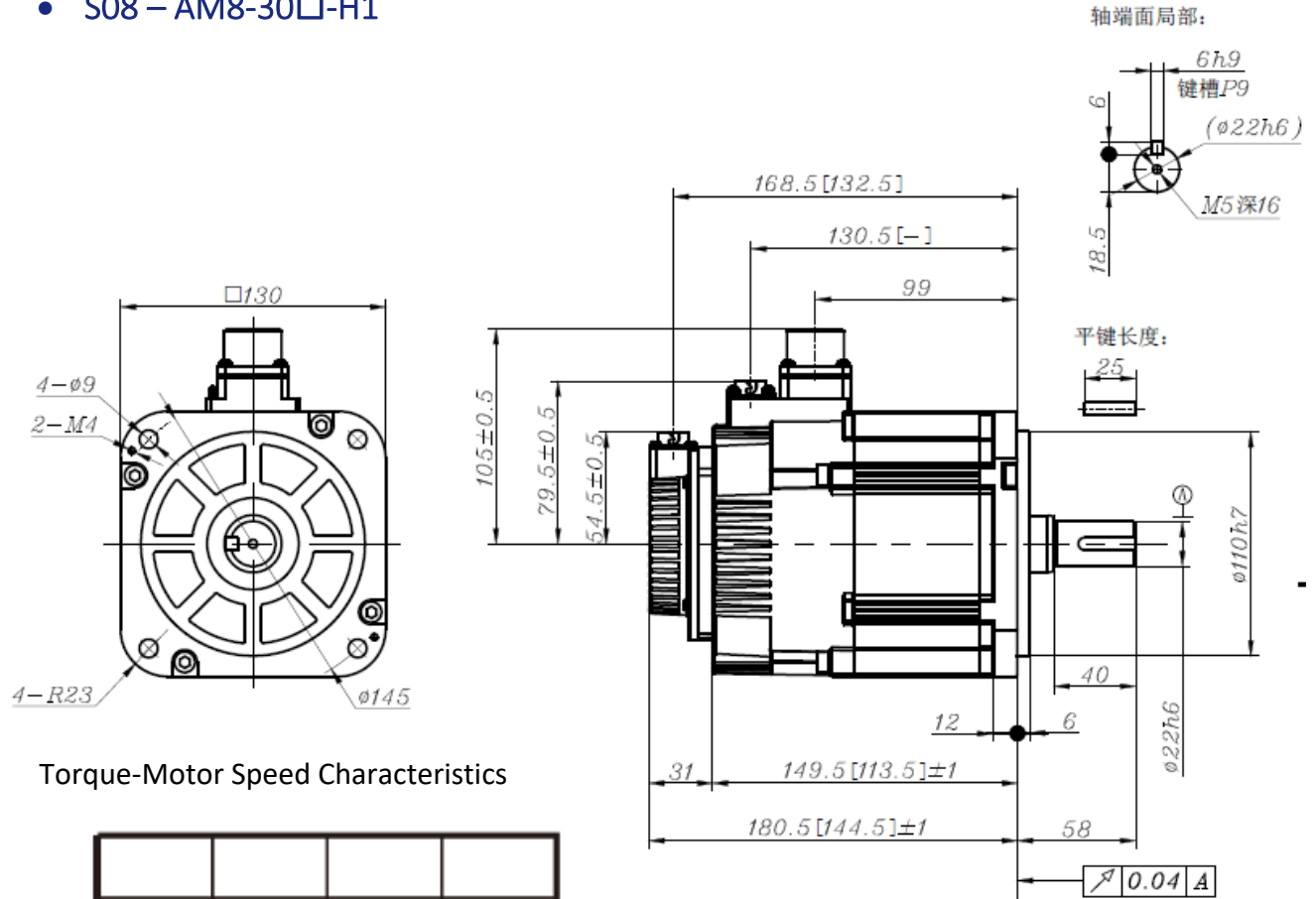


— Max TN & flux weakening  
 — S1 Continuous TN

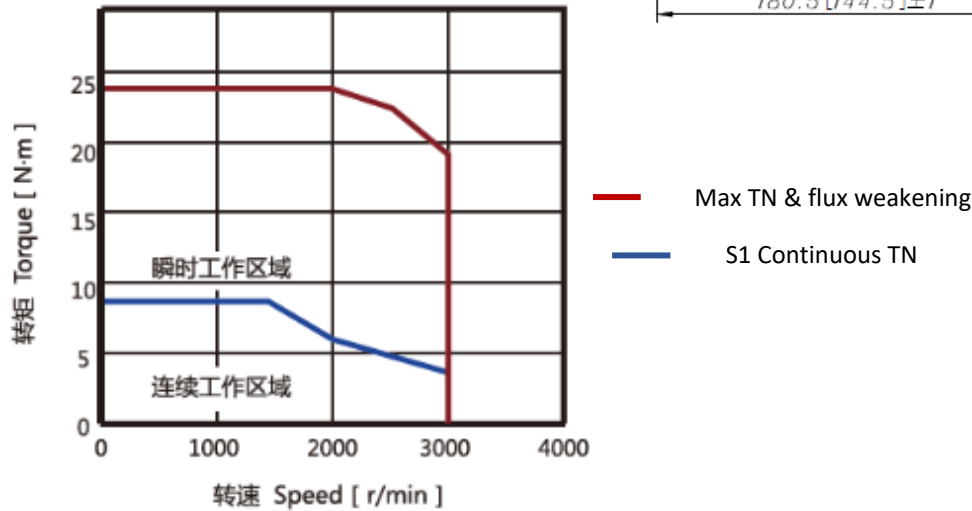
Model	Frame Size	Name	Power (KW)	Motor Length (mm)	Shaft Diameter (mm)	Shaft End Spec.(mm)			
						Keyway Width	Keyway Length	Keyway Depth	Screw Thread
S08-AM7-30□-H2	130	AM7	1.5	144.5	22	8	45	4	M6*20
S08-AM7-30B□-H2				180.5		8	45	4	M6*20



- S08 – AM8-30□-H1

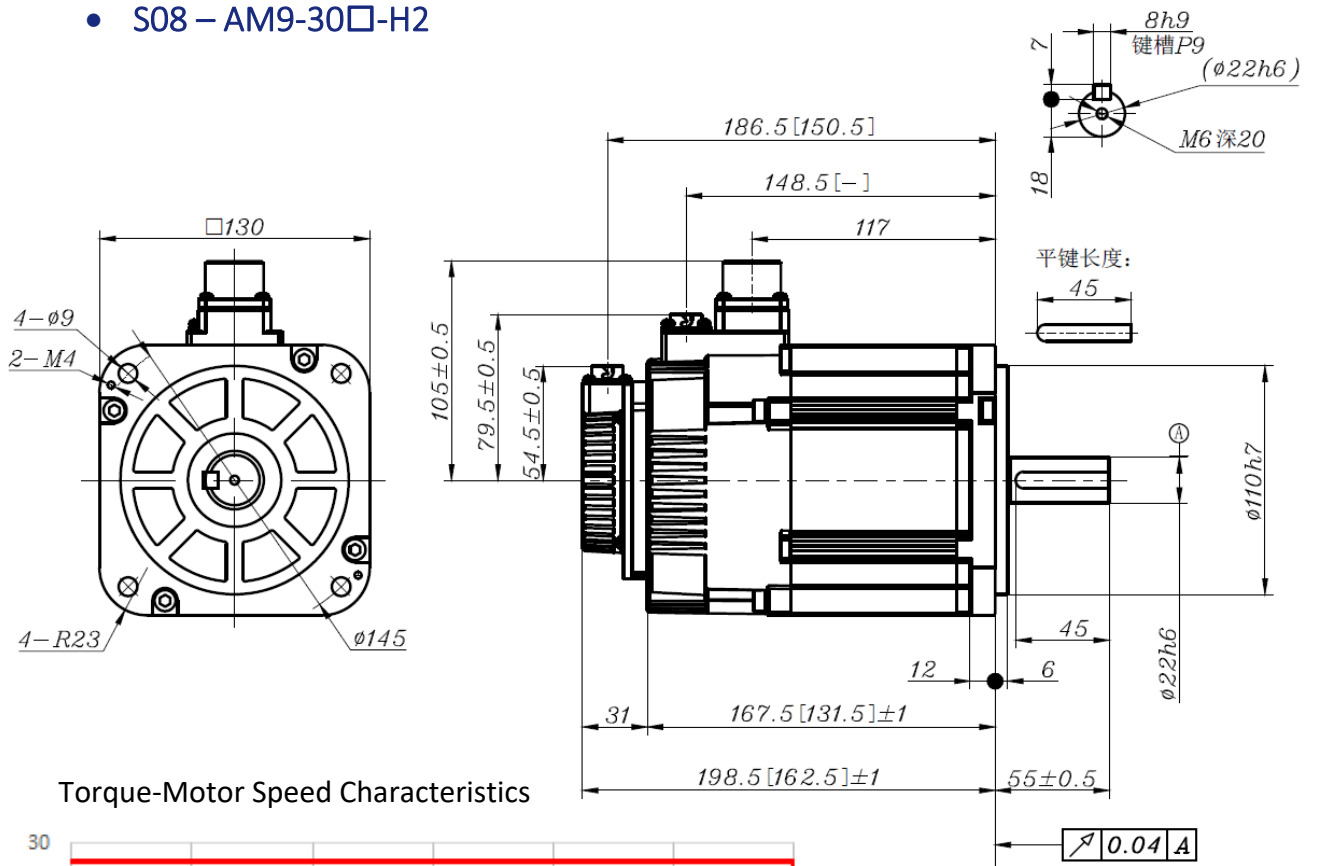


Torque-Motor Speed Characteristics

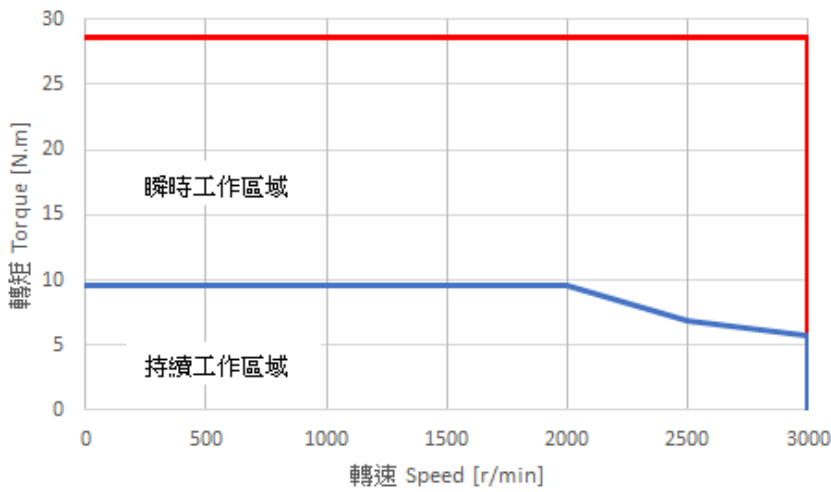


Model	Frame Size	Name	Power (KW)	Motor Length (mm)	Shaft Diameter (mm)	Shaft End Spec.(mm)			
						Keyway Width	Keyway Length	Keyway Depth	Screw Thread
S08-AM8-30□-H1	130	AM8	1.3	144.5	22	6	25	6	M5*16
S08-AM8-30B□-H1				180.5		6	25	6	M5*16

• S08 – AM9-30□-H2



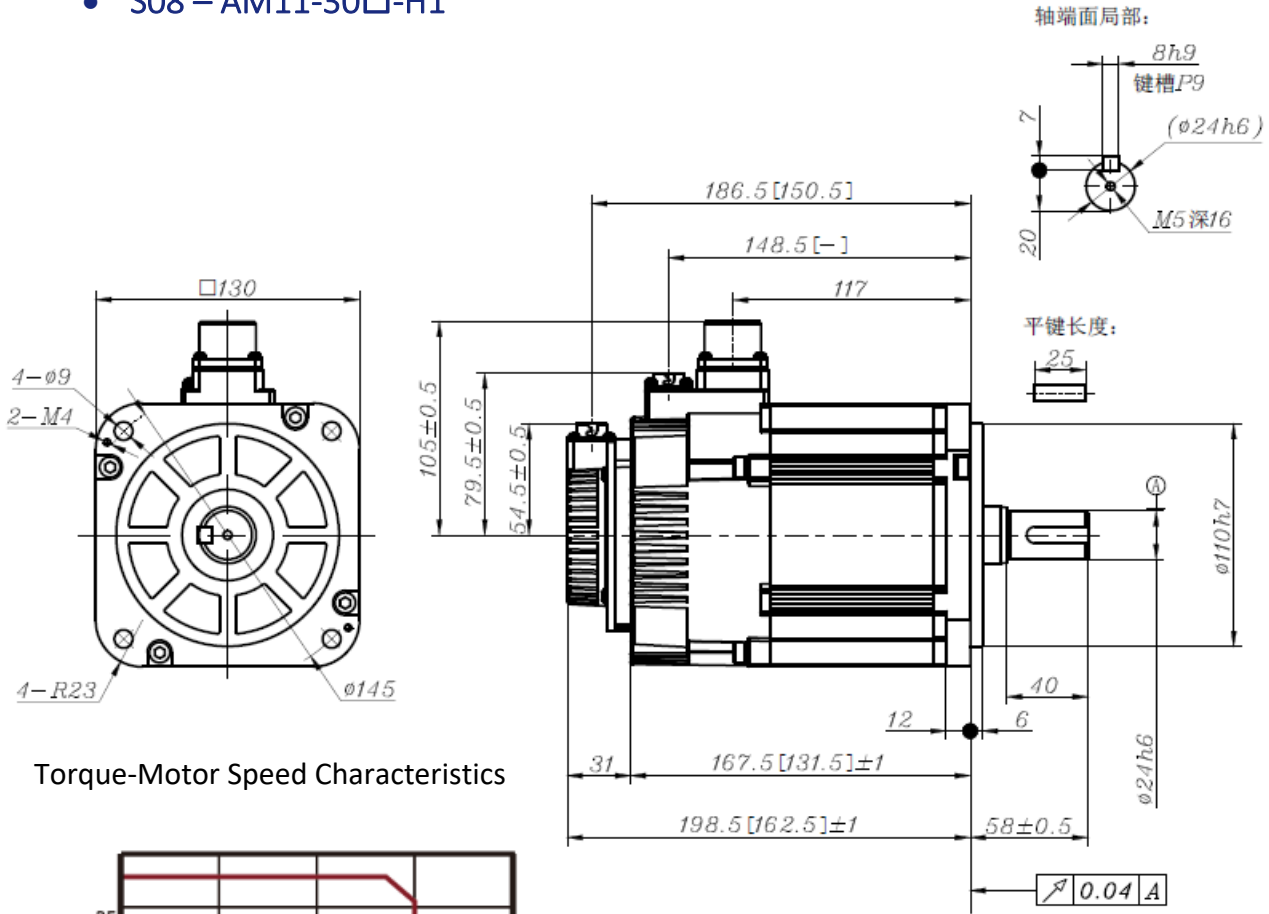
Torque-Motor Speed Characteristics



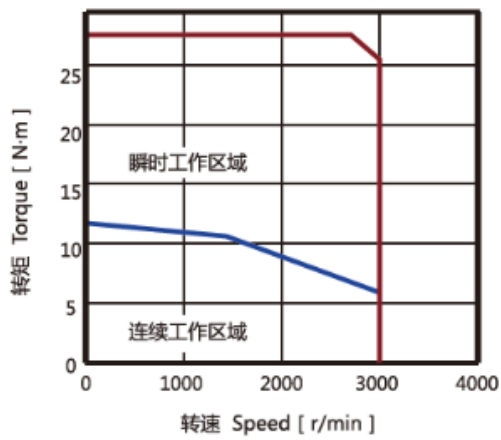
— Max TN & flux weakening  
 — S1 Continuous TN

Model	Frame Size	Name	Power (KW)	Motor Length (mm)	Shaft Diameter (mm)	Shaft End Spec.(mm)			
						Keyway Width	Keyway Length	Keyway Depth	Screw Thread
S08-AM9-30□-H2	130	AM9	2	162.5	22	8	45	4	M6*20
S08-AM9-30B□-H2				198.5		8	45	4	M6*20

- S08 – AM11-30□-H1



Torque-Motor Speed Characteristics



— Max TN & flux weakening  
 — S1 Continuous TN

Model	Frame Size	Name	Power (KW)	Motor Length (mm)	Shaft Diameter (mm)	Shaft End Spec.(mm)			
						Keyway Width	Keyway Length	Keyway Depth	Screw Thread
S08-AM11-30□-H1	130	AM11	1.8	162.5	24	8	25	7	M5*16
S08-AM11-30B□-H1				198.5		8	25	7	M5*16



**SYNTEC**  
SYNTEC TECHNOLOGY (THAILAND) CO., LTD.